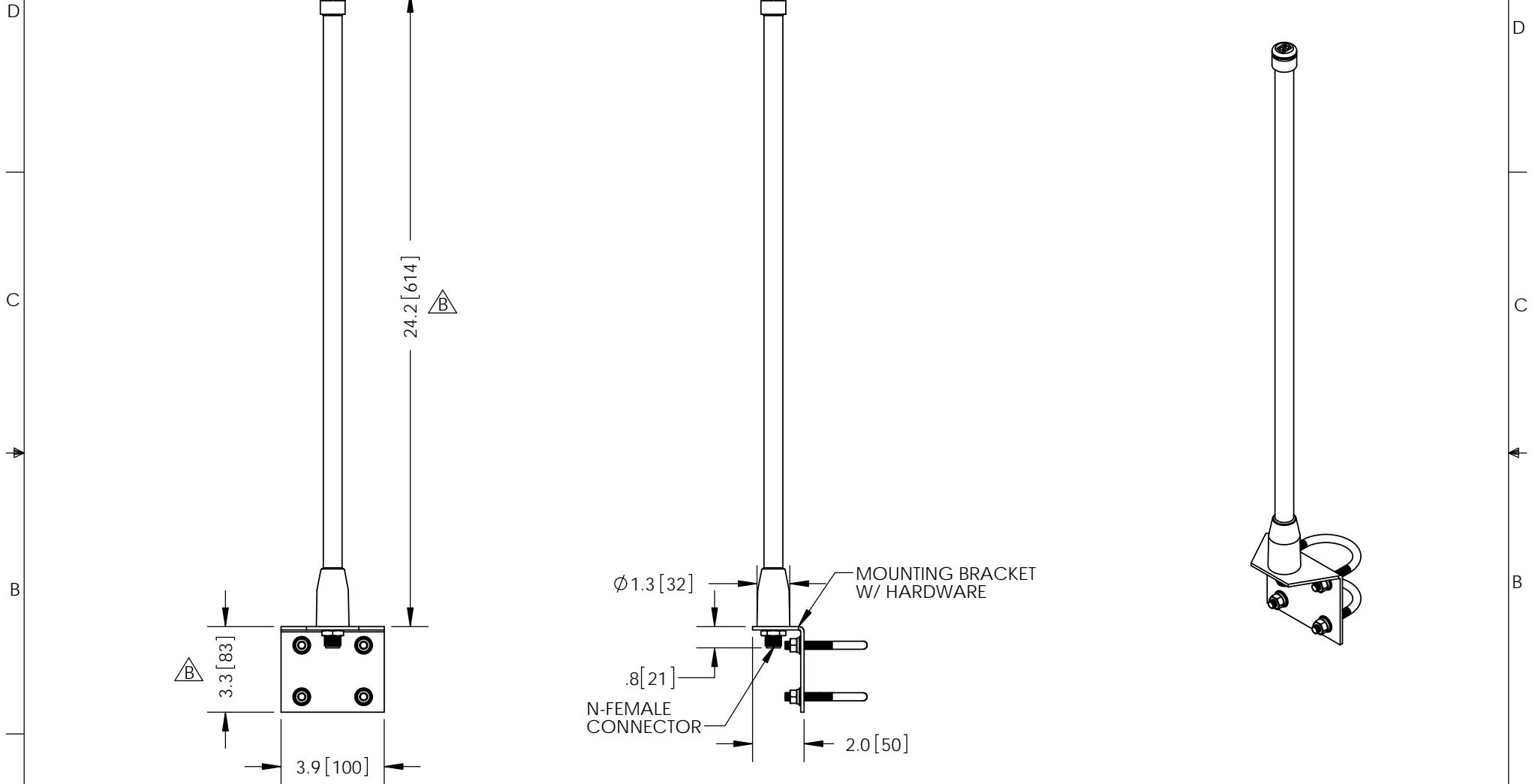


THE INFORMATION CONTAINED IN THIS DRAWING IS THE SOLE PROPERTY OF L-COM, INC. ANY REPRODUCTION IN PART OR WHOLE WITHOUT THE WRITTEN PERMISSION OF L-COM, INC. IS PROHIBITED.

REVISIONS			
REV	DESCRIPTION	DATE	APPROVED
A	INITIAL RELEASE	01/18/13	D.GRIFFIN
B	ECN 8962 UPDATE PER VENDOR SPECS	10/19/17	B.PUCHASKI



NOTES:

PACKAGING:
COMPONENT SHALL BE INDIVIDUALLY PACKAGED IN ACCORDANCE WITH L-COM SPECIFICATION PKG-00085

- ALL DIMENSIONS FOR REFERENCE -

REGULATORY COMPLIANCE:
CE2011/65/EU(RoHS DIRECTIVE)

UNLESS OTHERWISE SPECIFIED, DIMENSIONS ARE IN INCHES [mm] DIMENSIONAL TOLERANCES: .X = ±.1 [2.54] .XX = ±.01 [2.5] .XXX = ±.005 [1.3] ANGULAR TOLERANCES: ALL = ± 1°	APPROVALS	DATE	50 HIGH STREET NORTH ANDOVER, MA 01845	
	DRAWN BY B.PUCHASKI	01/18/13		
	CHECKED BY K.BURGNER	01/18/13	PRODUCT DESCRIPTION	
APPROVED BY P.PESA	01/18/13	4.9-5.8GHz 9dBi OMNI ANTENNA W/ N-FEMALE CONNECTOR		
PROJECTION 	COLOR VARIATIONS MAY OCCUR	SIZE A	FSCM NO. 43321	DWG. NO. HGV-4958-09U
		SCALE: NONE	CAD FILE: HGV-4958-09U.SLDDRW	SHEET 1 OF 1