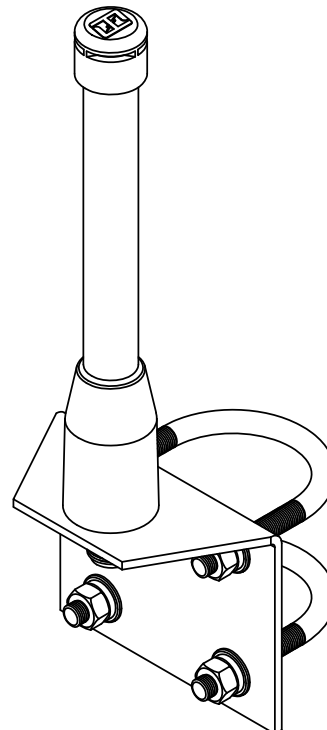
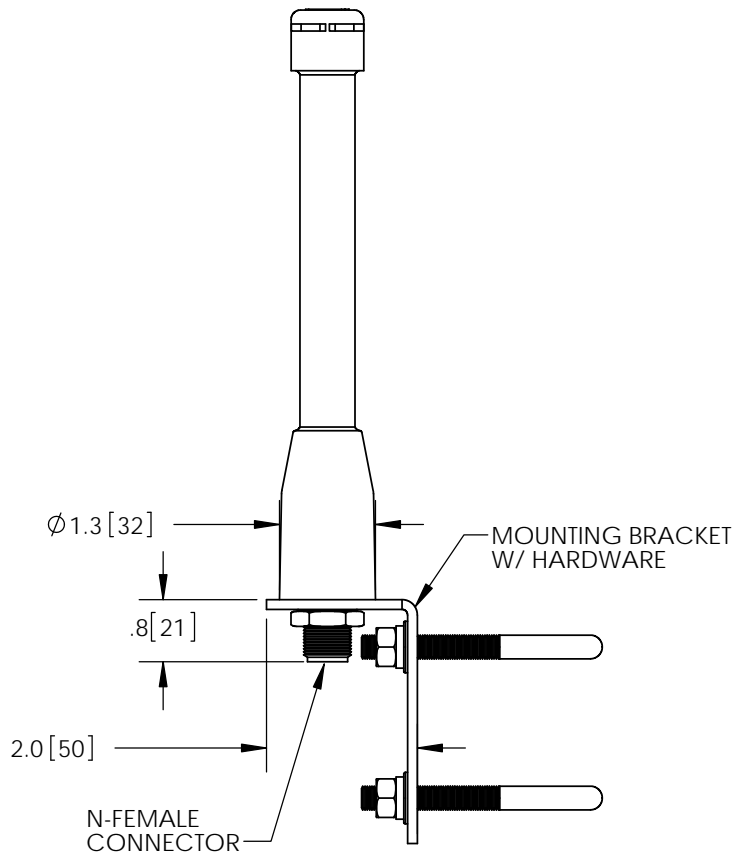
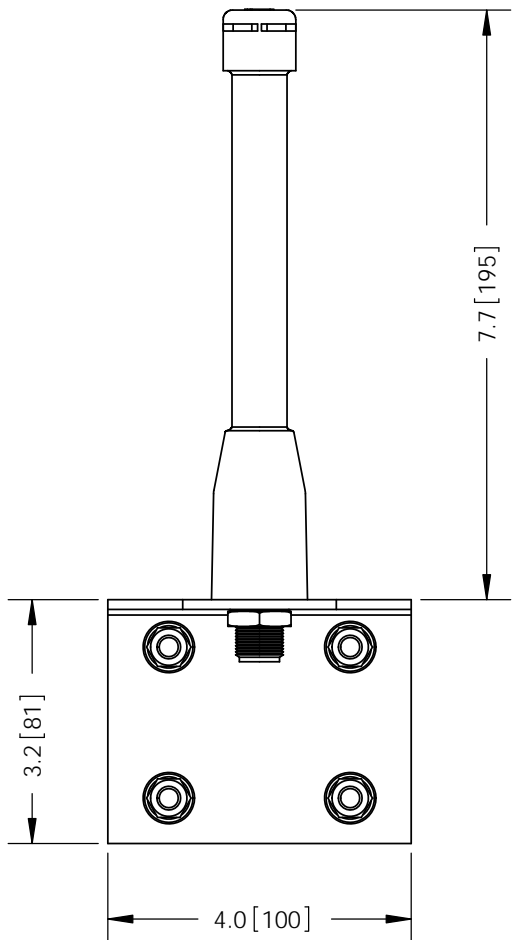


THE INFORMATION CONTAINED IN THIS DRAWING IS THE SOLE PROPERTY OF L-COM, INC. ANY REPRODUCTION IN PART OR WHOLE WITHOUT THE WRITTEN PERMISSION OF L-COM, INC. IS PROHIBITED.

REVISIONS			
REV	DESCRIPTION	DATE	APPROVED
A	INITIAL RELEASE	1/19/13	D.GRIFFIN
-	-	-	-
-	-	-	-



**NOTES:**

PACKAGING:  
COMPONENT SHALL BE INDIVIDUALLY PACKAGED IN ACCORDANCE WITH L-COM SPECIFICATION PKG-00085

- ALL DIMENSIONS FOR REFERENCE -

**REGULATORY COMPLIANCE:**  
RoHS, CE

UNLESS OTHERWISE SPECIFIED, DIMENSIONS ARE IN INCHES [mm]  DIMENSIONAL TOLERANCES: .X = ±.1 .XX = ±.01 .XXX = ±.005  ANGULAR TOLERANCES: ALL = ± 1°  PROJECTION	APPROVALS B.PUCHASKI	DATE 01/18/13		45 BEECHWOOD DRIVE NORTH ANDOVER, MA 01845	
	CHECKED BY K.BURGNER	DATE 01/18/13		CATEGORY ANTENNA	
	APPROVED BY P.PESA	DATE 01/18/13	PRODUCT DESCRIPTION 4.9-5.8GHz 6dBi OMNI ANTENNA W/ N-FEMALE CONNECTOR		
	CONFIGURATION DETAILS OF UNDIMENSIONED FEATURES MAY VARY  COLOR VARIATIONS MAY OCCUR	SIZE <b>A</b>	FSCM NO. <b>43321</b>	DWG. NO. <b>HGV-4958-06U</b>	REV. <b>A</b>
SCALE: NONE		CAD FILE: HGV-4958-06U.SLDDRW		SHEET 1 OF 1	