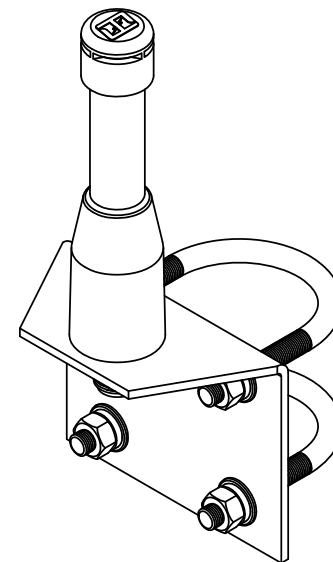
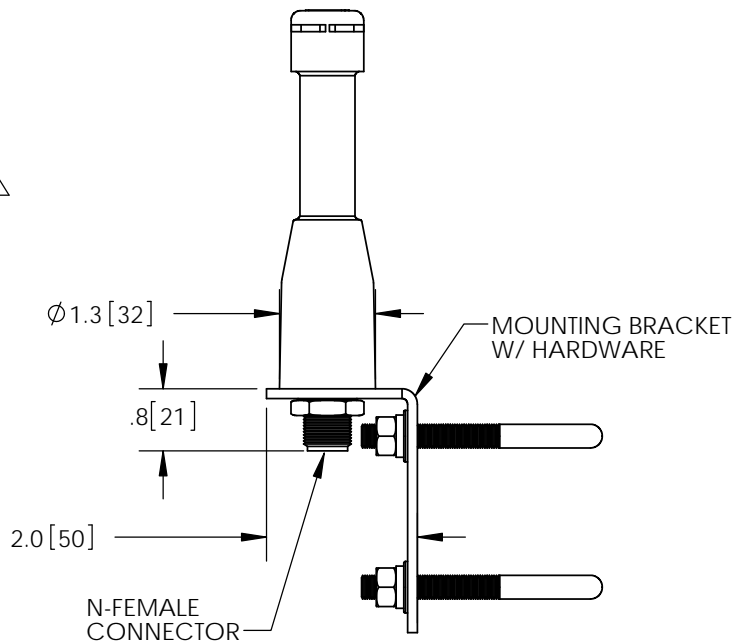
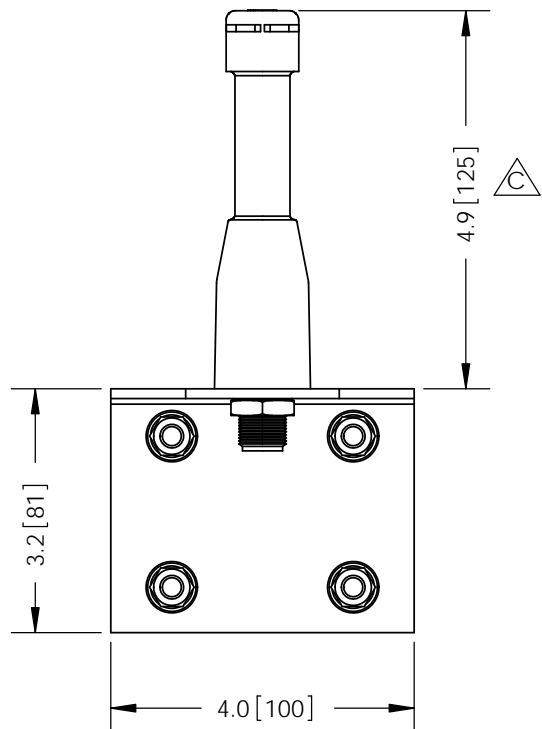


THE INFORMATION CONTAINED IN THIS DRAWING IS THE SOLE PROPERTY OF L-COM, INC. ANY REPRODUCTION IN PART OR WHOLE WITHOUT THE WRITTEN PERMISSION OF L-COM, INC. IS PROHIBITED.

REVISIONS			
REV	DESCRIPTION	DATE	APPROVED
A	INITIAL RELEASE	01/18/13	D.GRIFFIN
B	ECN 8526 UPDATE LENGTH 4.2 TO 5.0	10/25/16	B.PUCHASKI
C	ECN 8531 UPDATE LENGTH 5.0 TO 4.9	10/27/16	B.PUCHASKI


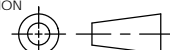


NOTES:

PACKAGING:
COMPONENT SHALL BE INDIVIDUALLY PACKAGED IN ACCORDANCE WITH L-COM SPECIFICATION PKG-00085

- ALL DIMENSIONS FOR REFERENCE -

REGULATORY COMPLIANCE:
CE2011/65/EU(RoHS DIRECTIVE)

UNLESS OTHERWISE SPECIFIED, DIMENSIONS ARE IN INCHES [mm]	APPROVALS	DATE	 50 HIGH STREET NORTH ANDOVER, MA 01845
	DRAWN BY B.PUCHASKI	01/18/13	
DIMENSIONAL TOLERANCES: .X = ±.1 [2.54] .XX = ±.01 [25] .XXX = ±.005 [13]	CHECKED BY K.BURGNER	01/18/13	CATEGORY ANTENNA
	APPROVED BY P.PESA	01/18/13	PRODUCT DESCRIPTION 4.9-5.8GHz 4dBi OMNI ANTENNA W/ N-FEMALE CONNECTOR
ANGULAR TOLERANCES: ALL = ± 1°	CONFIGURATION DETAILS OF UNDIMENSIONED FEATURES MAY VARY	SIZE A	FSCM NO. 43321
PROJECTION 	COLOR VARIATIONS MAY OCCUR	DWG. NO. HGV-4958-04U	REV. C
		SCALE: NONE	CAD FILE: HGV-4958-04U.SLDDRW
		SHEET 1 OF 1	