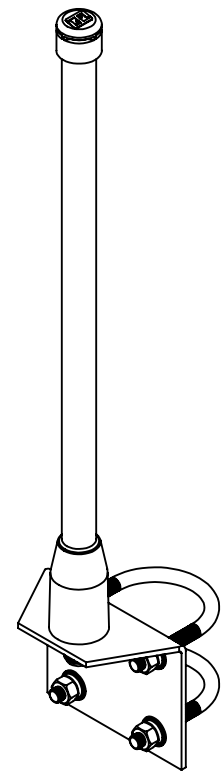
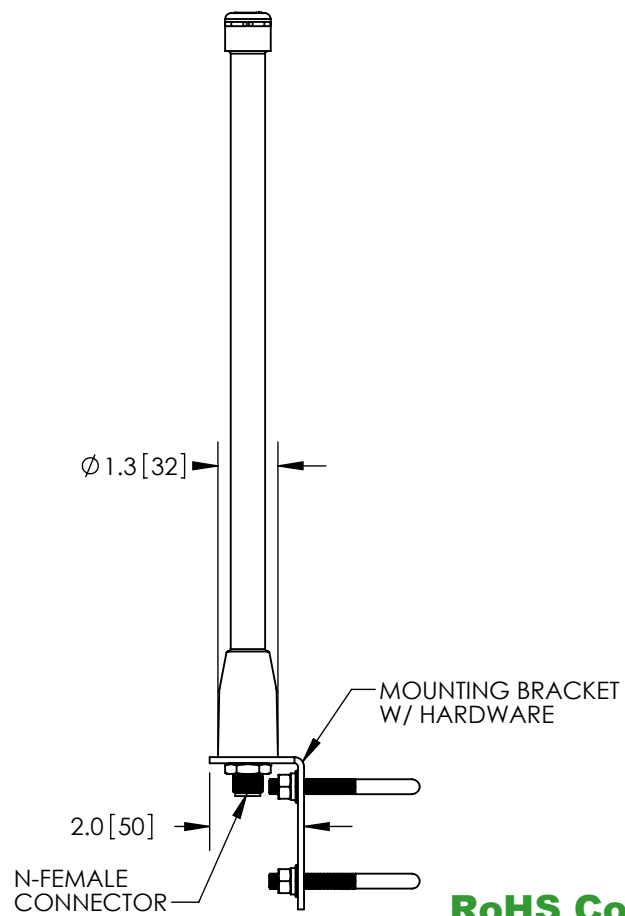
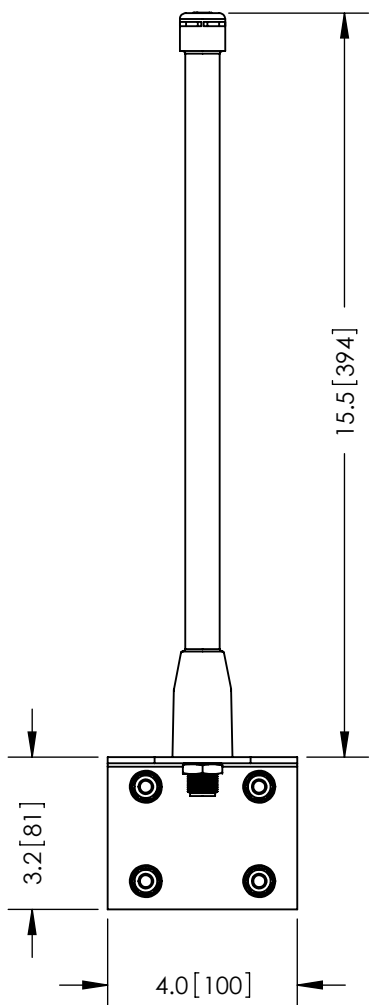


THE INFORMATION CONTAINED IN THIS DRAWING IS THE SOLE PROPERTY OF L-COM, INC. ANY REPRODUCTION IN PART OR WHOLE WITHOUT THE WRITTEN PERMISSION OF L-COM, INC. IS PROHIBITED.

REVISIONS			
REV	DESCRIPTION	DATE	APPROVED
A	INITIAL RELEASE	05/09/12	D.GRIFFIN
-	-	-	-
-	-	-	-



**RoHS Compliant** ✓

**NOTES:**

**PACKAGING:**  
 COMPONENT SHALL BE INDIVIDUALLY PACKAGED IN ACCORDANCE WITH L-COM SPECIFICATION PKG-00085

- ALL DIMENSIONS FOR REFERENCE -

UNLESS OTHERWISE SPECIFIED, DIMENSIONS ARE IN INCHES [mm]  DIMENSIONAL TOLERANCES: .X = ±.1 .XX = ±.01 .XXX = ±.005  ANGULAR TOLERANCES: ALL = ± 1°  PROJECTION	APPROVALS DRAWN BY B.PUCHASKI CHECKED BY P.PESA APPROVED BY P.PESA	DATE 05/09/12 05/09/12 05/09/12		45 BEECHWOOD DRIVE NORTH ANDOVER, MA 01845
	CONFIGURATION DETAILS OF UNDIMENSIONED FEATURES MAY VARY		CATEGORY <b>ANTENNA</b>	
	COLOR VARIATIONS MAY OCCUR		PRODUCT DESCRIPTION <b>4.9GHz 7dBi OMNI ANTENNA W/ N-FEMALE CONNECTOR</b>	
	SIZE <b>A</b>	FSCM NO. <b>43321</b>	DWG. NO. <b>HGV-4907U</b>	REV. <b>A</b>