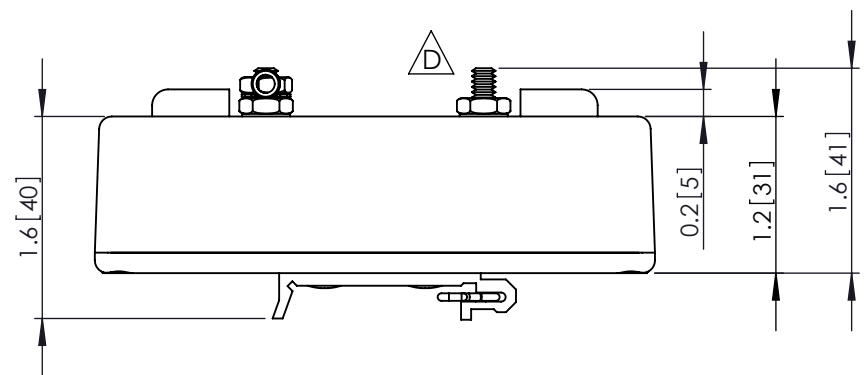
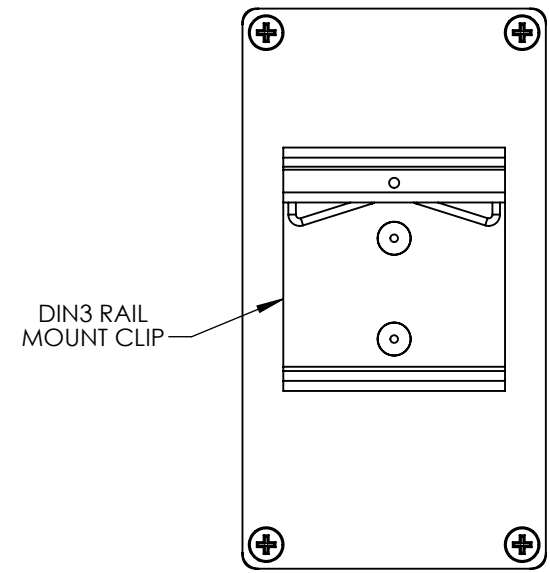
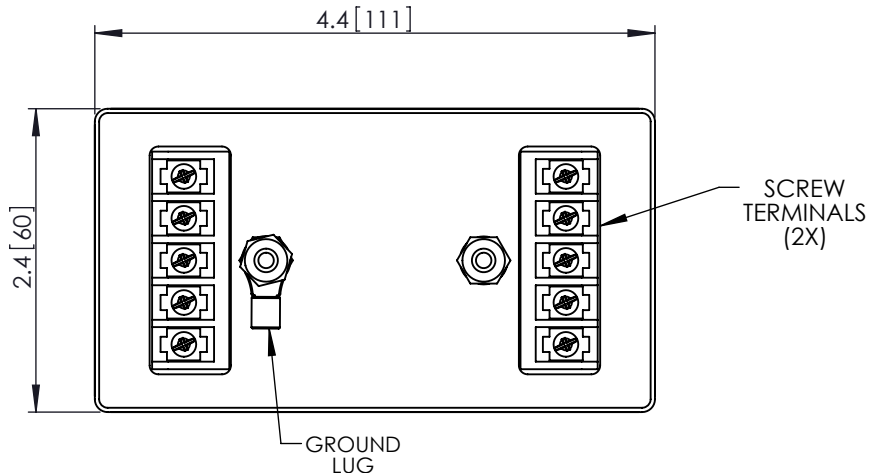


THE INFORMATION CONTAINED IN THIS DRAWING IS THE SOLE PROPERTY OF L-COM, INC. ANY REPRODUCTION IN PART OR WHOLE WITHOUT THE WRITTEN PERMISSION OF L-COM, INC. IS PROHIBITED.

REVISIONS			
REV	DESCRIPTION	DATE	APPROVED
A	INITIAL RELEASE	09/15/2011	BPUCHASKI
B	ECN 6758 ADDED GROUND LUGS	03/27/2013	BPUCHASKI
C	ECN 8822 REMOVED 1 GROUND LUG	06/15/2017	BPUCHASKI
D	ECN 9626 REMOVED HEX NUT-TOP RIGHT, REMOVE RoHS	01/23/2019	BPUCHASKI



NOTES:

COMPONENT ASSEMBLY SHALL BE INDIVIDUALLY PACKAGED IN ACCORDANCE WITH L-COM SPECIFICATION PKG-00012

- ALL DIMENSIONS FOR REFERENCE -

UNLESS OTHERWISE SPECIFIED, DIMENSIONS ARE IN INCHES [mm] OVERALL CABLE LENGTH TOLERANCE: ≤12 [305] = +1 [25] / -0 >12 [305] ≤60 [1524] = +2 [51] / -0 >60 [1524] ≤120 [3048] = +4 [102] / -0 >120 [3048] ≤300 [7620] = +6 [152] / -0 >300 [7620] = +5% / -0% ALL OTHER DIMENSIONAL TOLERANCES: .X = ±.2 [5.08] .XX = ±.02 [5.1] .XXX = ±.005 [1.3]	APPROVALS DRAWN BY BPUCHASKI CHECKED BY APPROVED BY	DATE 09/15/2011 09/15/2011 09/15/2011	50 HIGH STREET NORTH ANDOVER, MA 01845 CATEGORY LIGHTNING PROTECTOR PRODUCT DESCRIPTION HGLND-D2-XX LIGHTNING PROTECTOR				
	CONFIGURATION DETAILS OF UNDIMENSIONED FEATURES MAY VARY	COLOR VARIATIONS MAY OCCUR		SIZE A	FSCM NO. 43321	DWG. NO. HGLND-D2-XX	REV. D
	PROJECTION 			SCALE: NONE	CAD FILE: HGLND-D2-XX.SLDDRW	SHEET 1 OF 1	