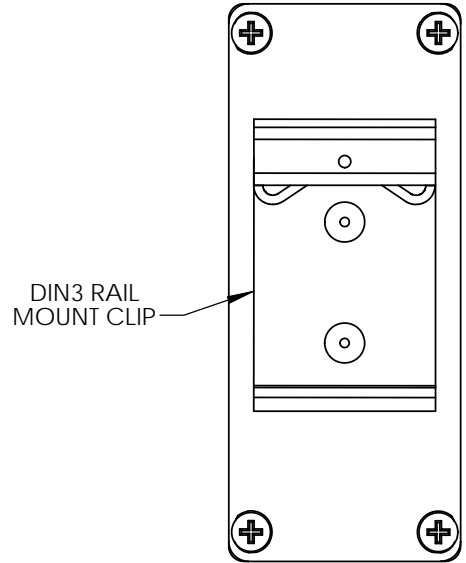
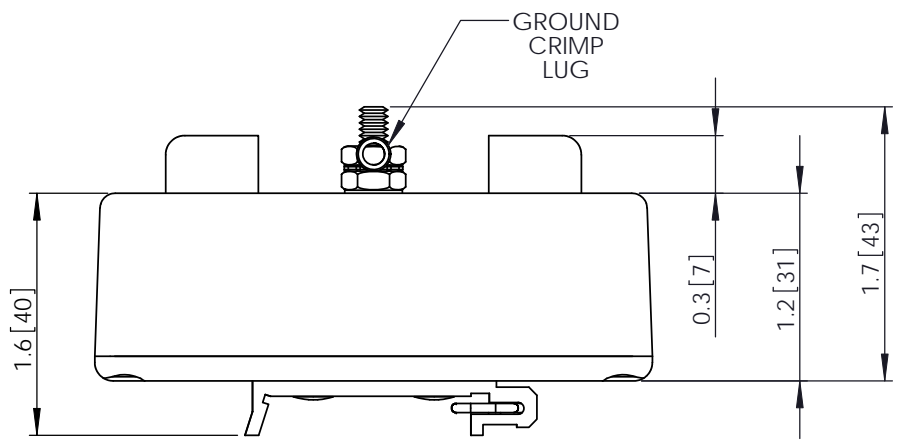
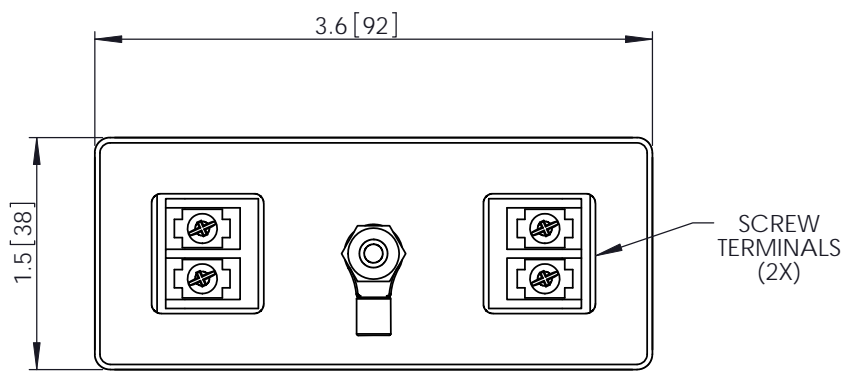


THE INFORMATION CONTAINED IN THIS DRAWING IS THE SOLE PROPERTY OF L-COM, INC. ANY REPRODUCTION IN PART OR WHOLE WITHOUT THE WRITTEN PERMISSION OF L-COM, INC. IS PROHIBITED.

| REVISIONS | | | |
|-----------|-----------------|----------|------------|
| REV | DESCRIPTION | DATE | APPROVED |
| A | INITIAL RELEASE | 09/15/11 | B.PUCHASKI |
| - | - | - | - |
| - | - | - | - |



NOTES:

COMPONENT ASSEMBLY SHALL BE INDIVIDUALLY PACKAGED IN ACCORDANCE WITH L-COM SPECIFICATION PKG-00012
 - ALL DIMENSIONS FOR REFERENCE -

RoHS Compliant ✓

| | | | |
|---|--|---|---|
| UNLESS OTHERWISE SPECIFIED, DIMENSIONS ARE IN INCHES [mm] DIMENSIONAL TOLERANCES: .X = ±.1 .XX = ±.01 .XXX = ±.005 ANGULAR TOLERANCES: ALL = ± 1° | APPROVALS | DATE | 45 BEECHWOOD DRIVE NORTH ANDOVER, MA 01845 |
| | DRAWN BY B.PUCHASKI | 09/15/11 | |
| | CHECKED BY K.BURGNER | 09/15/11 | |
| APPROVED BY K.BURGNER | 09/15/11 | CATEGORY LIGHTNING PROTECTORS | |
| PROJECTION | CONFIGURATION DETAILS OF UNDIMENSIONED FEATURES MAY VARY COLOR VARIATIONS MAY OCCUR | PRODUCT DESCRIPTION HGLND-D1-XX LIGHTNING PROTECTOR | REV. A |
| SIZE A | FSCM NO. 43321 | DWG. NO. HGLND-D1-XX | SCALE: NONE CAD FILE: HGLND-D1-XX.SLDDRW SHEET 1 OF 1 |