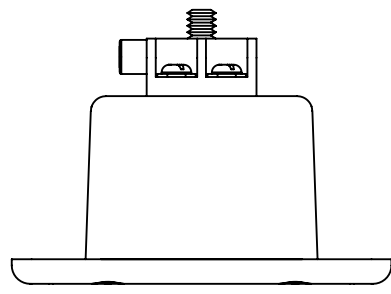
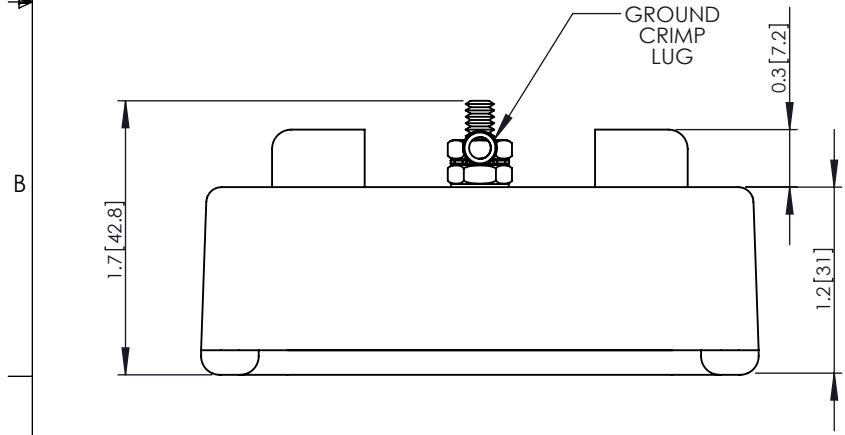
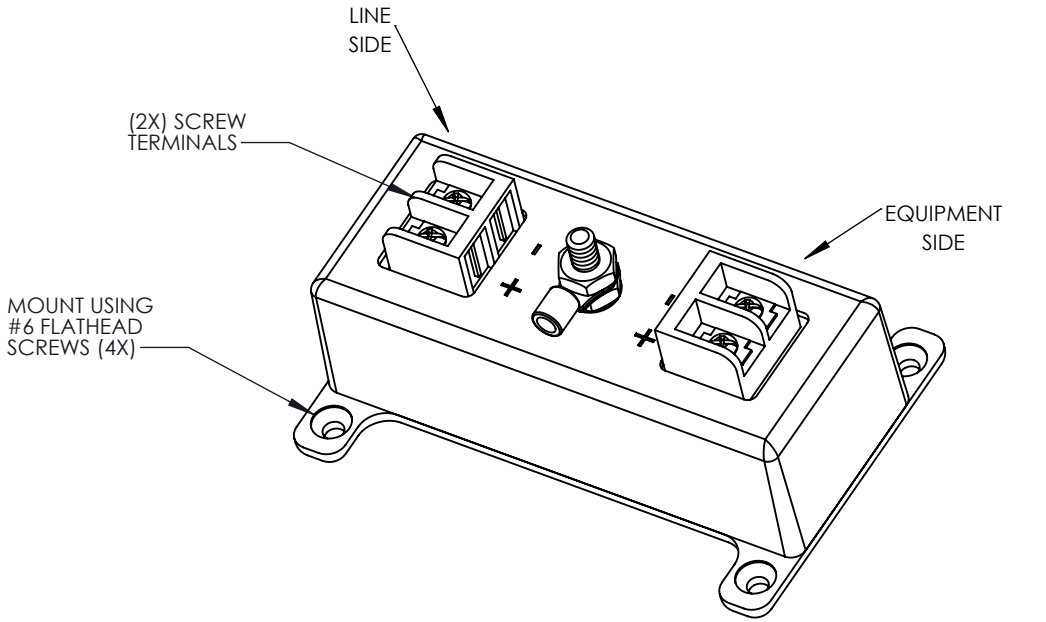
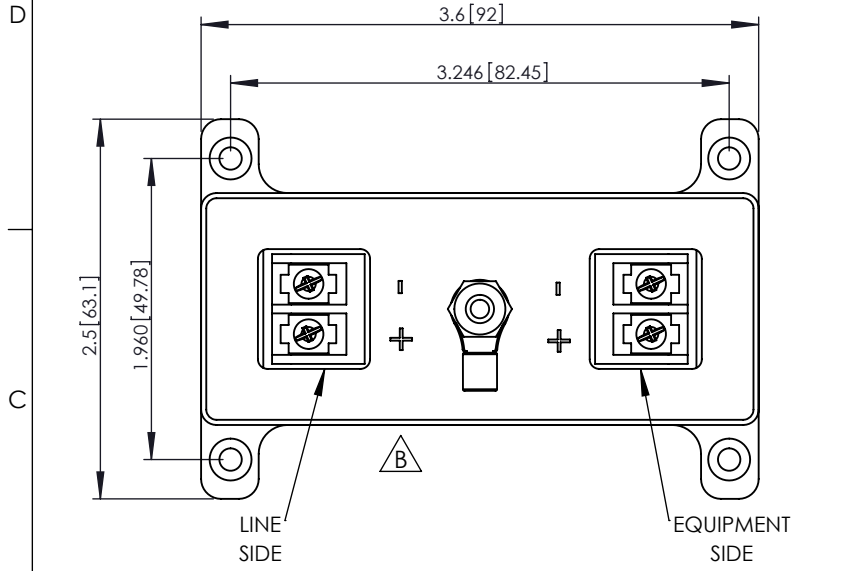


THE INFORMATION CONTAINED IN THIS DRAWING IS THE SOLE PROPERTY OF L-COM, INC. ANY REPRODUCTION IN PART OR WHOLE WITHOUT THE WRITTEN PERMISSION OF L-COM, INC. IS PROHIBITED.

REVISIONS			
REV	DESCRIPTION	DATE	APPROVED
A	INITIAL RELEASE	03/10/2011	BPUCHASKI
B	ECN 9636 ADD + AND - DESIGNATION TO TERMINALS, REMOVE RoS	01/16/2019	BPUCHASKI



NOTES:
COMPONENT ASSEMBLY SHALL BE INDIVIDUALLY PACKAGED IN ACCORDANCE WITH L-COM SPECIFICATION PS-0031

UNLESS OTHERWISE SPECIFIED, DIMENSIONS ARE IN INCHES [mm] DIMENSIONAL TOLERANCES: .X = ±.1 [2.54] .XX = ±.01 [2.5] .XXX = ±.005 [.13] ANGULAR TOLERANCES: ALL = ± 1°	APPROVALS	DATE			50 HIGH STREET NORTH ANDOVER, MA 01845	
	DRAWN BY BPUCHASKI	03/10/2011			CATEGORY	
	CHECKED BY K.GURGNER	03/10/2011	PRODUCT DESCRIPTION		LP INDOOR, 1 PAIR, RS-485	
	APPROVED BY K.BURGNER	03/10/2011	CONFIGURATION DETAILS OF UNDIMENSIONED FEATURES MAY VARY	SCALE: NONE	CAD FILE: HGLN-D1-05.SLDDRW	SHEET 1 OF 1
PROJECTION	COLOR VARIATIONS MAY OCCUR	SIZE A	FSCM NO. 43321	DWG. NO. HGLN-D1-05	REV. B	