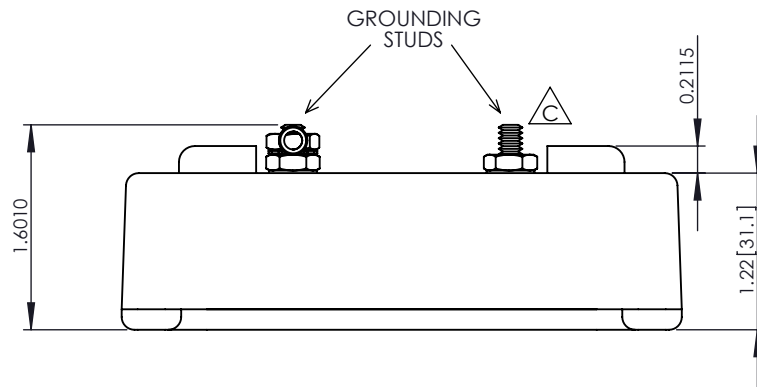
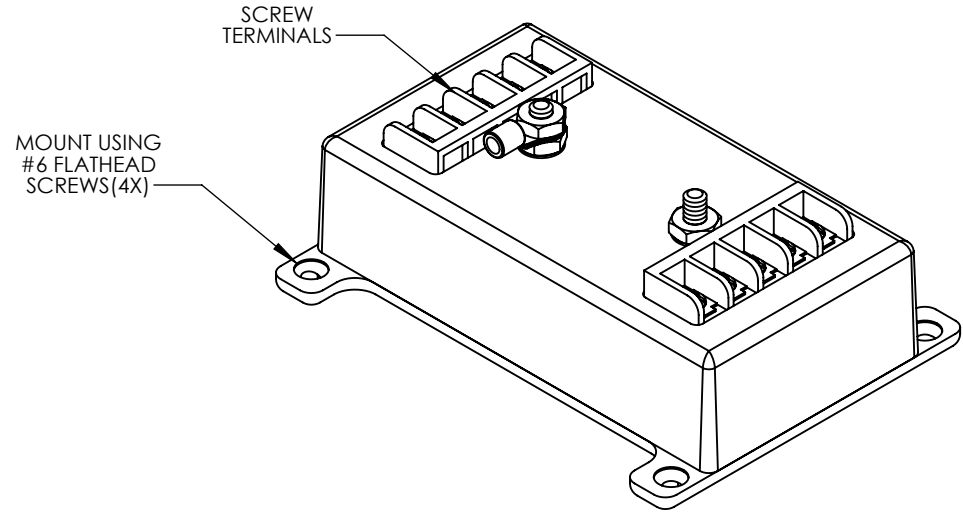
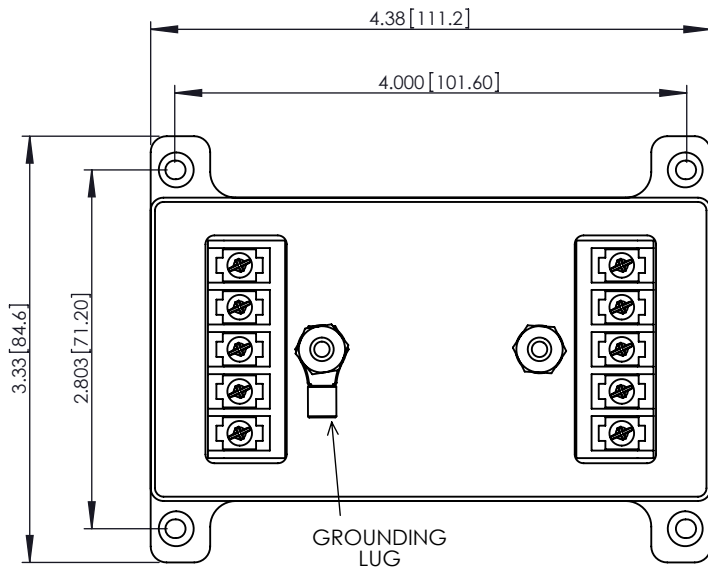


THE INFORMATION CONTAINED IN THIS DRAWING IS THE SOLE PROPERTY OF L-COM, INC. ANY REPRODUCTION IN PART OR WHOLE WITHOUT THE WRITTEN PERMISSION OF L-COM, INC. IS PROHIBITED.

REVISIONS			
REV	DESCRIPTION	DATE	APPROVED
A	Initial Release	03/15/2011	BPUCHASKI
B	ECN 8380 ADDED GROUND LUG	06/20/2016	BPUCHASKI
C	ECN 9698: REMOVED HEX NUT	02/18/2019	D.ZINN



NOTES:

COMPONENT ASSEMBLY SHALL BE INDIVIDUALLY PACKAGED IN ACCORDANCE WITH L-COM SPECIFICATION PKG-00012

- ALL DIMENSIONS FOR REFERENCE ONLY -

UNLESS OTHERWISE SPECIFIED, DIMENSIONS ARE IN INCHES [mm] DIMENSIONAL TOLERANCES: .X = ±.1 [2.54] .XX = ±.01 [2.5] .XXX = ±.005 [.13] ANGULAR TOLERANCES: ALL = ± 1°	APPROVALS	DATE			50 HIGH STREET NORTH ANDOVER, MA 01845
	DRAWN BY B.PUCHASKI	03/15/2011			CATEGORY
	CHECKED BY K.BURGNER	03/15/2011	PRODUCT DESCRIPTION		LP INDOOR, 2-PAIR, CURRENT LOOP, 24V
APPROVED BY K.BURGNER	03/15/2011	CONFIGURATION DETAILS OF UNDIMENSIONED FEATURES MAY VARY		SIZE A	FSCM NO. 43321
PROJECTION 	COLOR VARIATIONS MAY OCCUR		DWG. NO. HGLN-CL2-24	REV. C	SCALE: NONE
			CAD FILE: HGLN-CL2-24.SLDDRW		SHEET 1 OF 1