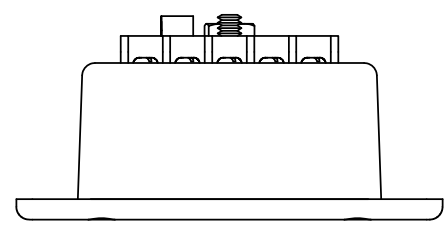
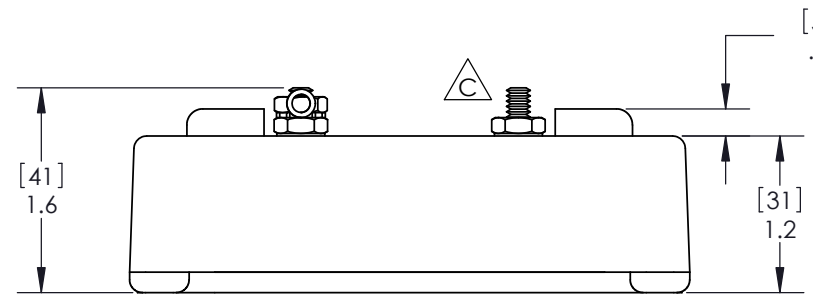
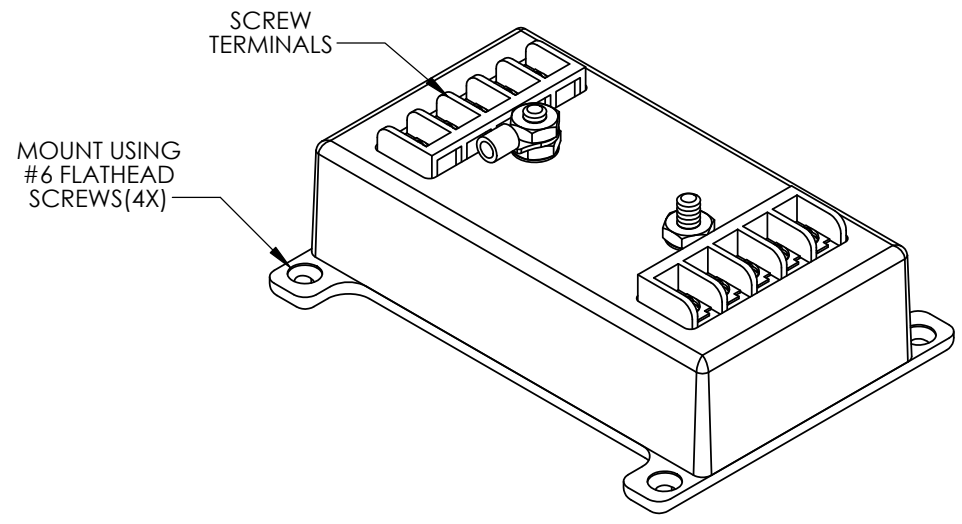
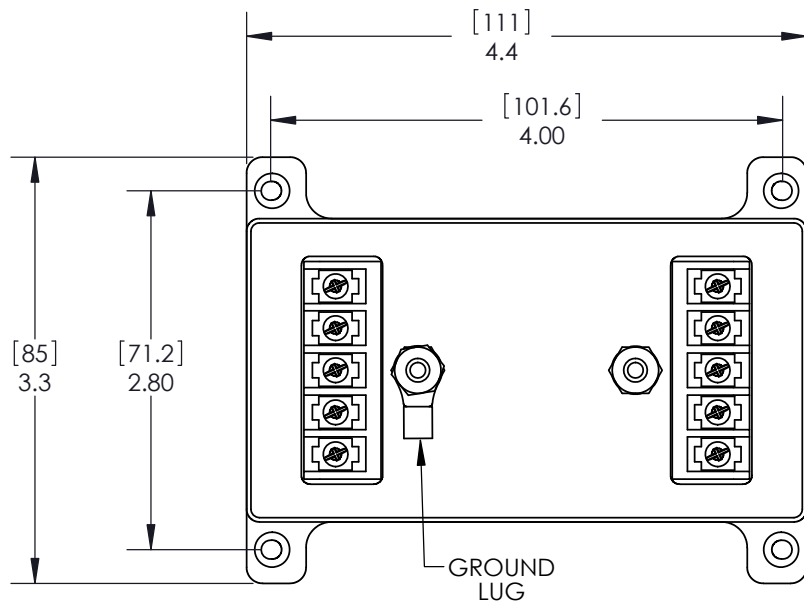


THE INFORMATION CONTAINED IN THIS DRAWING IS THE SOLE PROPERTY OF L-COM, INC. ANY REPRODUCTION IN PART OR WHOLE WITHOUT THE WRITTEN PERMISSION OF L-COM, INC. IS PROHIBITED.

REVISIONS			
REV	DESCRIPTION	DATE	APPROVED
A	INITIAL RELEASE	06/15/2017	BPUCHASKI
B	ECN 8822 ADD GROUND LUG	06/15/17	BPUCHASKI
C	ECN 10584 REMOVE HEX NUT	07/31/20	DREBECK



<p>UNLESS OTHERWISE SPECIFIED, DIMENSIONS ARE IN INCHES [mm]</p> <p>OVERALL CABLE LENGTH TOLERANCE: ≤12 [305] = +1 [25] / -0 >12 [305] ≤60 [1524] = +2 [51] / -0 >60 [1524] ≤120 [3048] = +4 [102] / -0 >120 [3048] ≤300 [7620] = +6 [152] / -0 >300 [7620] = +5% / -0</p> <p>ALL OTHER DIMENSIONAL TOLERANCES: .X = ± .2 [5] FRACTIONS ± 1/32 .XX = ± .02 [5] ANGLES ± 1° .XXX = ± .005 [13]</p> <p>THIRD-ANGLE PROJECTION</p>	<p>APPROVALS</p> <p>DRAWN BY BPUCHASKI</p> <p>CHECKED BY</p> <p>APPROVED BY BPUCHASKI</p>	<p>DATE</p> <p>03/15/2011</p> <p>03/15/2011</p> <p>03/15/2011</p>	<p>L-com an INFINITO brand</p> <p>50 High Street, West Mill, North Andover, MA 01845 USA. Phone: 1.800.341.5266 1.978.682.6936</p>
	<p>CONFIGURATION DETAILS OF UNDIMENSIONED FEATURES MAY VARY</p>		<p>CATEGORY</p> <p>LIGHTNING PROTECTOR</p>
	<p>COLOR VARIATIONS MAY OCCUR</p>		<p>PRODUCT DESCRIPTION</p> <p>LP INDOOR, 2-PAIR, CURRENT LOOP, 12V</p>
	<p>SIZE A</p> <p>CAGE CODE 43321</p> <p>SCALE: NONE</p>	<p>DWG. NO. HGLN-CL2-12</p> <p>CAD FILE: HGLN-CL2-12.SLDDRW</p>	<p>REV. C</p> <p>SHEET 1 OF 1</p>