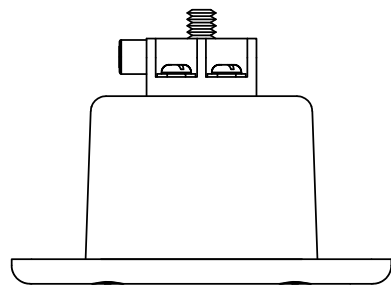
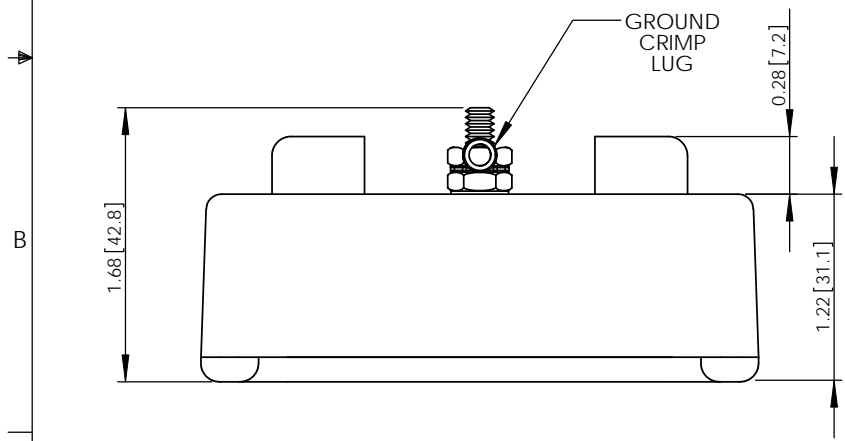
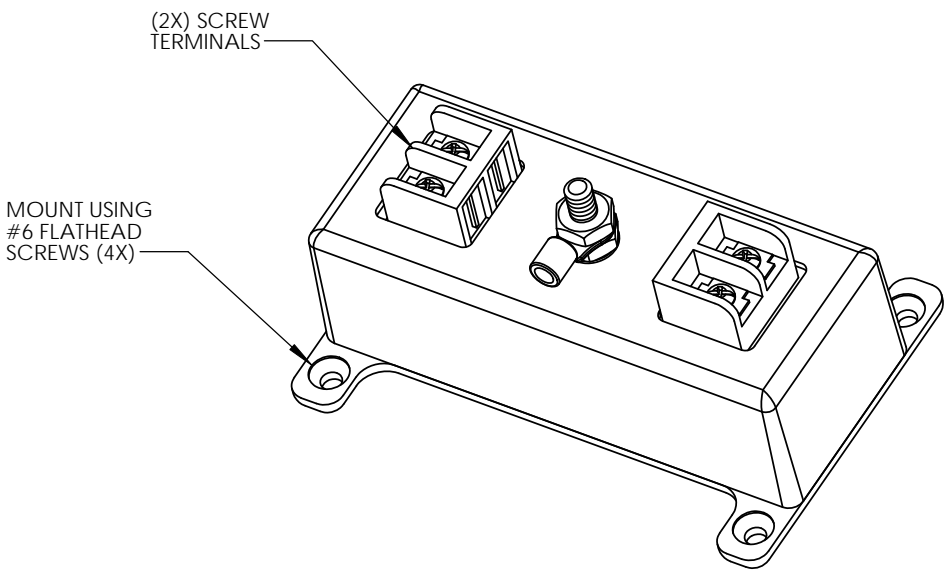
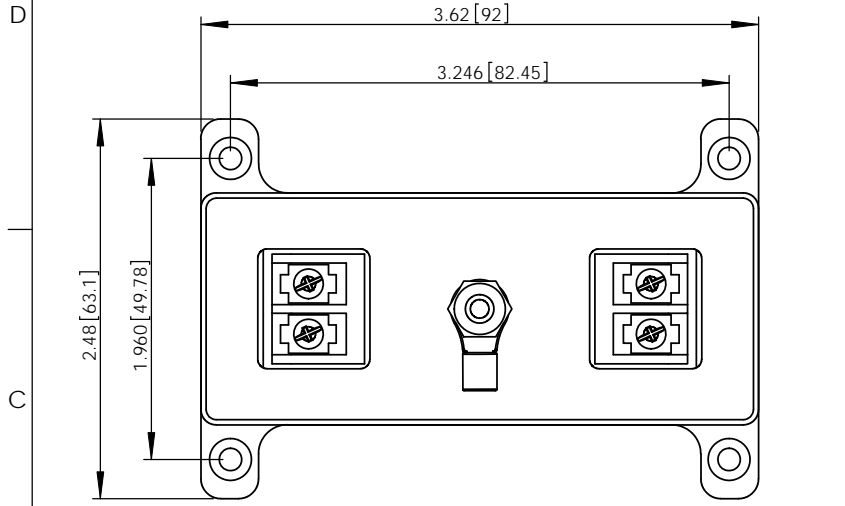


THE INFORMATION CONTAINED IN THIS DRAWING IS THE SOLE PROPERTY OF L-COM, INC. ANY REPRODUCTION IN PART OR WHOLE WITHOUT THE WRITTEN PERMISSION OF L-COM, INC. IS PROHIBITED.

REVISIONS			
REV	DESCRIPTION	DATE	APPROVED
A	Initial Release	03/10/11	B.Puchaski
-	-	-	-
-	-	-	-



NOTES:
 COMPONENT ASSEMBLY SHALL BE INDIVIDUALLY PACKAGED IN ACCORDANCE WITH L-COM SPECIFICATION PKG-00012

RoHS Compliant

UNLESS OTHERWISE SPECIFIED, DIMENSIONS ARE IN INCHES [mm] DIMENSIONAL TOLERANCES: .X = ±.1 .XX = ±.01 .XXX = ±.005 ANGULAR TOLERANCES: ALL = ± 1°	APPROVALS DRAWN BY B.Puchaski	DATE 03/10/11		45 BEECHWOOD DRIVE NORTH ANDOVER, MA 01845
	CHECKED BY K.Burgner	03/10/11		
	PROJECTION 	APPROVED BY K.Burgner	03/10/11	PRODUCT DESCRIPTION LP Indoor, 1-Pair, Current Loop, 15V
COLOR VARIATIONS MAY OCCUR			SIZE A	FSCM NO. 43321
			DWG. NO. HGLN-CL1-15	REV. A
			SCALE: NONE	CAD FILE: HGLN-CL1-15.SLDDRW
			SHEET 1 OF 1	