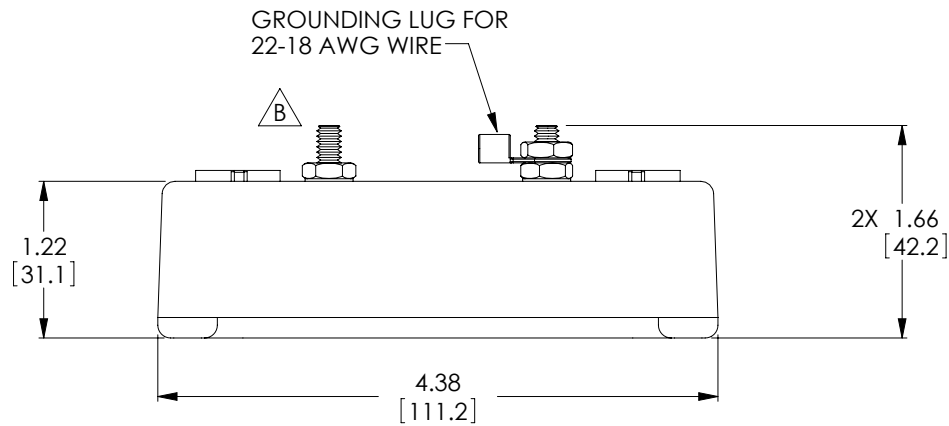
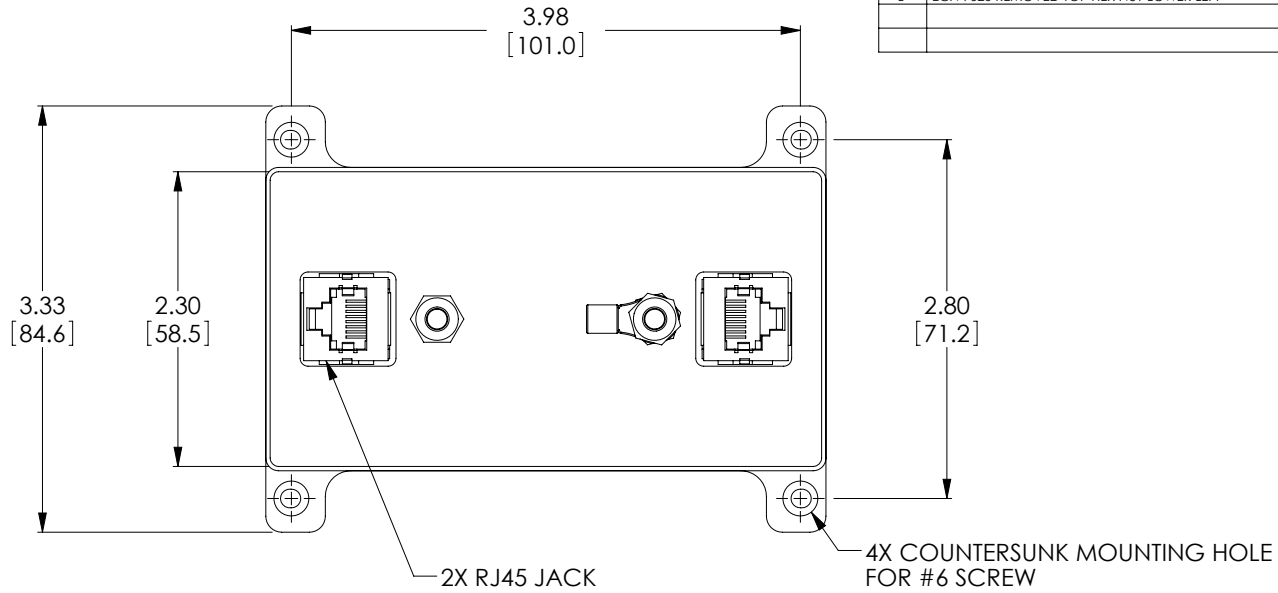


THE INFORMATION CONTAINED IN THIS DRAWING IS THE SOLE PROPERTY OF L-COM, INC. ANY REPRODUCTION IN PART OR WHOLE WITHOUT THE WRITTEN PERMISSION OF L-COM, INC. IS PROHIBITED.

REVISIONS			
REV	DESCRIPTION	DATE	APPROVED
A	INITIAL RELEASE	06/30/2011	D.PARHAM
B	ECN 9626 REMOVED TOP HEX NUT-LOWER LEFT	01/23/2019	BPUCHASKI



NOTE:

1. COMPONENT SHALL BE INDIVIDUALLY PACKAGED IN ACCORDANCE WITH L-COM SPECIFICATION PS-0031.

UNLESS OTHERWISE SPECIFIED, DIMENSIONS ARE IN INCHES [mm] OVERALL CABLE LENGTH TOLERANCE: ≤12 [305] = +1 [25] / -0 >12 [305] ≤60 [1524] = +2 [51] / -0 >60 [1524] ≤120 [3048] = +4 [102] / -0 >120 [3048] ≤300 [7620] = +6 [152] / -0 >300 [7620] = +5% / -0% ALL OTHER DIMENSIONAL TOLERANCES: .X = ±.2 [5.08] .XX = ±.02 [51] .XXX = ±.005 [1.27]	APPROVALS DRAWN BY D.PARHAM CHECKED BY K.BURGNER APPROVED BY K.BURGNER	DATE 06/23/2011 06/29/2011 06/29/2011	50 HIGH STREET NORTH ANDOVER, MA 01845				
	CATEGORY LIGHTNING PROTECTOR			PRODUCT DESCRIPTION HGLN-CATx-HP LIGHTNING PROTECTOR			
	PROJECTION 	CONFIGURATION DETAILS OF UNDIMENSIONED FEATURES MAY VARY	COLOR VARIATIONS MAY OCCUR		SIZE A	FSCM NO. 43321	DWG. NO. HGLN-CATx-HP
	SCALE: NONE		CAD FILE: HGLN-CATx-HP.SLDDRW		SHEET 1 OF 1		