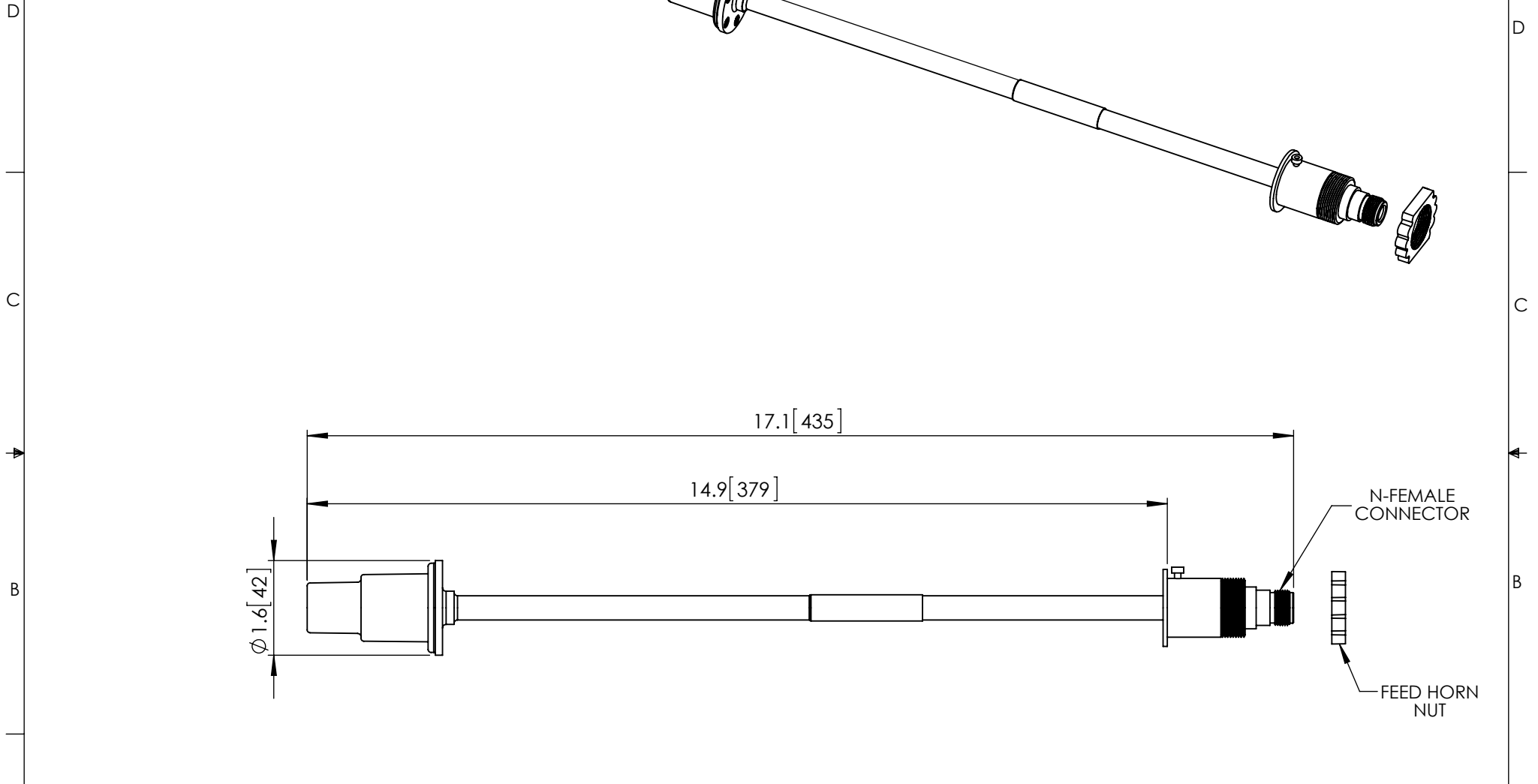


THE INFORMATION CONTAINED IN THIS DRAWING IS THE SOLE PROPERTY OF L-COM, INC. ANY REPRODUCTION IN PART OR WHOLE WITHOUT THE WRITTEN PERMISSION OF L-COM, INC. IS PROHIBITED.

| REVISIONS | | | |
|-----------|-----------------|---------|-----------|
| REV | DESCRIPTION | DATE | APPROVED |
| A | INITIAL RELEASE | 8/20/13 | D.GRIFFIN |
| | | | |
| | | | |



NOTES:
PACKAGING:
 COMPONENT SHALL BE PACKAGED IN ACCORDANCE WITH L-COM SPEC PKG-00012.
 - ALL DIMENSIONS FOR REFERENCE ONLY -

REGULATORY COMPLIANCE:
 ROHS, CE

| | | | | | |
|---|-------------------------------|------------------|---|--|------------------|
| UNLESS OTHERWISE SPECIFIED, DIMENSIONS ARE IN INCHES [mm] DIMENSIONAL TOLERANCES: .X = ±.1 .XX = ±.01 .XXX = ±.005 ANGULAR TOLERANCES: ALL = ± 1° | APPROVALS | DATE | | 45 BEECHWOOD DRIVE NORTH ANDOVER, MA 01845 | |
| | DRAWN BY B.PUCHASKI | 08/01/13 | | | |
| | CHECKED BY P.PESA | 08/01/13 | CATEGORY ANTENNA | | |
| | APPROVED BY P.PESA | 08/01/13 | PRODUCT DESCRIPTION ANTENNA FEEDHORN REPLACEMENT 5GHz 33dBi | | |
| PROJECTION | COLOR VARIATIONS MAY OCCUR | SIZE A | FSCM NO. 43321 | DWG. NO. HGFH-533D | REV. A |
| | | SCALE: NONE | CAD FILE: HGFH-533D.SLDDRW | | SHEET 1 OF 1 |