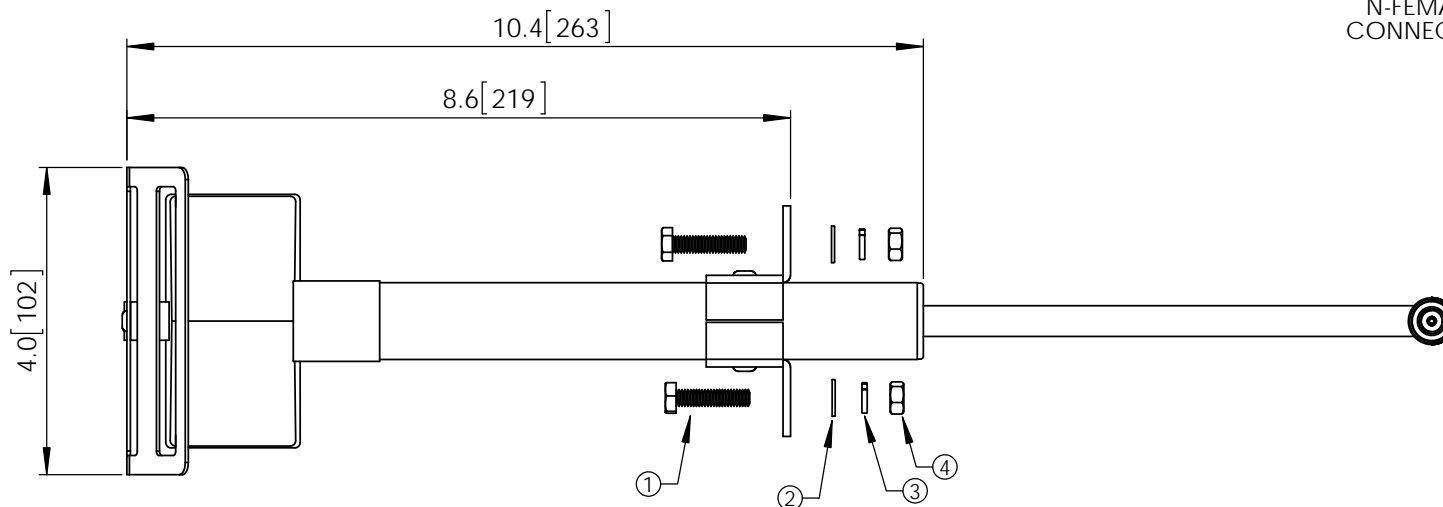
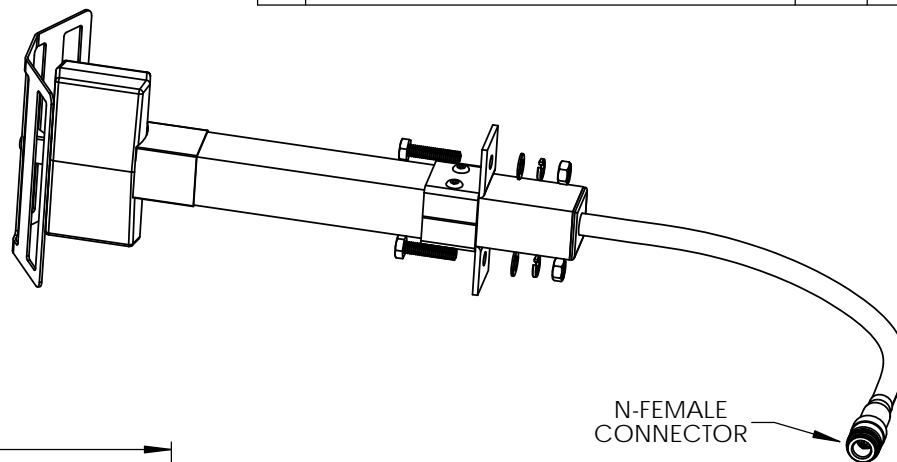


THE INFORMATION CONTAINED IN THIS DRAWING IS THE SOLE PROPERTY OF L-COM, INC. ANY REPRODUCTION IN PART OR WHOLE WITHOUT THE WRITTEN PERMISSION OF L-COM, INC. IS PROHIBITED.

REVISIONS			
REV	DESCRIPTION	DATE	APPROVED
A	INITIAL RELEASE	8/21/13	D.GRIFFIN
B	ECN7844 ADDED HARDWARE CHART	03/24/15	B.PUCHASKI

HARDWARE SUPPLIED		
PART#	DESCRIPTION	QUANTITY
1	M6 X 25 SS304 HEX BOLT	2
2	M6 SS304 FLAT WASHER	2
3	M6 SS304 LOCK WASHER	2
4	M6 SS304 HEX NUT	2



N-FEMALE CONNECTOR

NOTES:

PACKAGING:
COMPONENT SHALL BE PACKAGED IN ACCORDANCE WITH L-COM SPEC PKG-00012.

- ALL DIMENSIONS FOR REFERENCE ONLY -

REGULATORY COMPLIANCE:
CE2011/65/EU(RoHS DIRECTIVE)

UNLESS OTHERWISE SPECIFIED, DIMENSIONS ARE IN INCHES [mm] DIMENSIONAL TOLERANCES: .X = ±.1 [2.54] .XX = ±.01 [.25] .XXX = ±.005 [.13] ANGULAR TOLERANCES: ALL = ± 1°	APPROVALS	DATE		45 BEECHWOOD DRIVE NORTH ANDOVER, MA 01845
	DRAWN BY B.PUCHASKI	08/01/13		
	CHECKED BY P.PESA	08/01/13	CATEGORY ANTENNA	
	APPROVED BY P.PESA	08/01/13	PRODUCT DESCRIPTION ANTENNA FEEDHORN REPLACEMENT 2.4GHz 15dBi	
COLOR VARIATIONS MAY OCCUR	SIZE A	FSCM NO. 43321	DWG. NO. HGFH-215EG-NF	REV. B
SCALE: NONE		CAD FILE: HGFH-215EG-NF.SLDDRW		SHEET 1 OF 1