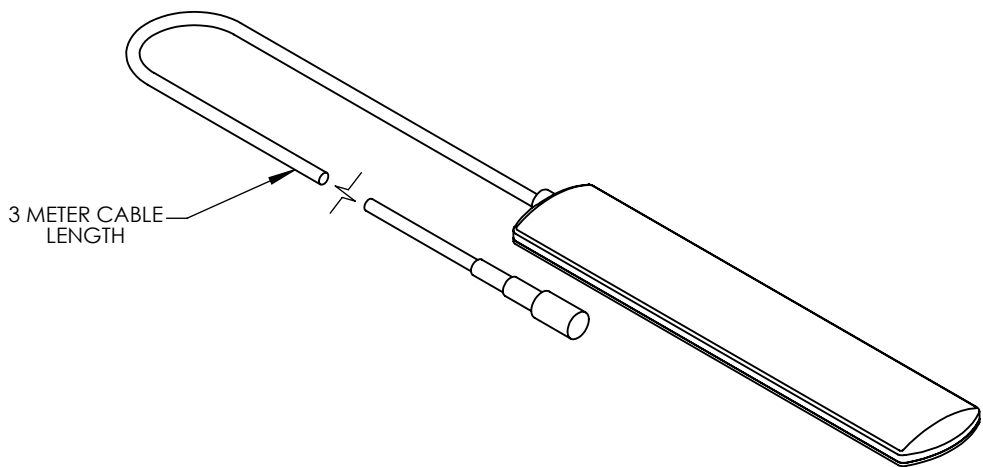
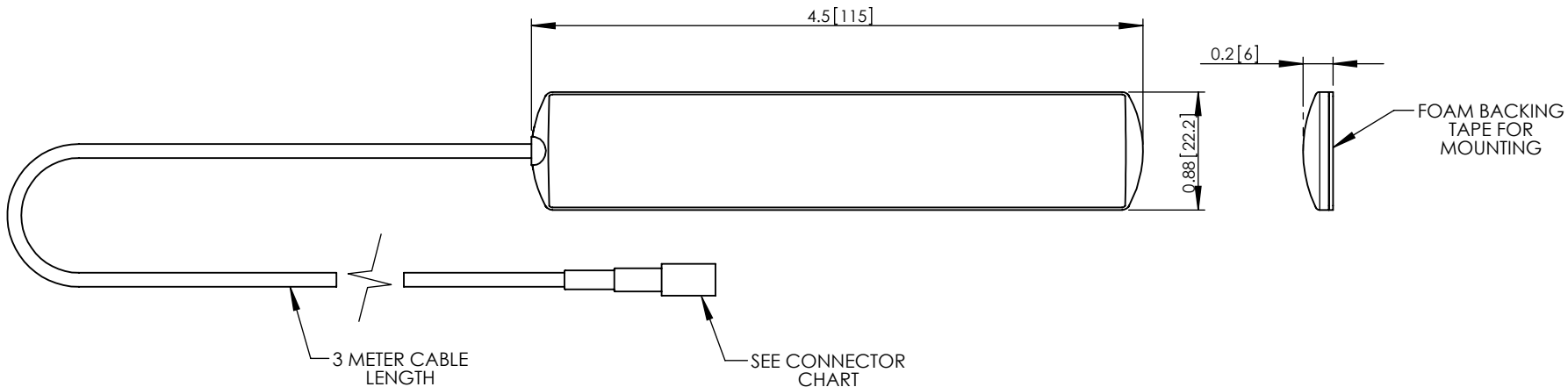


THE INFORMATION CONTAINED IN THIS DRAWING IS THE SOLE PROPERTY OF L-COM, INC., ANY REPRODUCTION IN PART OR WHOLE WITHOUT THE WRITTEN PERMISSION OF L-COM, INC. IS PROHIBITED.

REVISIONS			
REV	DESCRIPTION	DATE	APPROVED
A	INITIAL RELEASE	11/22/13	D.GRIFFIN
-	-	-	-
-	-	-	-



MODEL# HG924-2TP-	
SUFFIX	CONNECTOR TYPE
NF	N-FEMALE
NM	N-MALE
NMR	N-MALE RIGHT ANGLE
RSP	RP SMA-PLUG
RSPR	RP SMA-PLUG RIGHT ANGLE
RTP	RP TNC-PLUG
RNJ	RP N-JACK
RNP	RP N-PLUG
RTPR	RP TNC-PLUG RIGHT ANGLE
SM	SMA MALE
SMR	SMA MALE RIGHT ANGLE
TM	TNC MALE
UM	UHF-MALE
BM	BNC MALE
RBP	RP BNC PLUG
MC	MC CARD MALE
MM	MMCX MALE



**NOTES:**

PACKAGING:  
COMPONENT SHALL BE INDIVIDUALLY PACKAGED IN ACCORDANCE WITH L-COM SPECIFICATION PKG-00012

- ALL DIMENSIONS FOR REFERENCE -

**REGULATORY COMPLIANCE:**  
CE2011/65/EU (RoHS DIRECTIVE)

UNLESS OTHERWISE SPECIFIED, DIMENSIONS ARE IN INCHES [mm]	APPROVALS	DATE		45 BEECHWOOD DRIVE NORTH ANDOVER, MA 01845
	DRAWN BY B.PUCHASKI	11/21/13		
DIMENSIONAL TOLERANCES: .X = ±.1 [2.54] .XX = ±.01 [.25] .XXX = ±.005 [.13]	CHECKED BY P.PESA	11/21/13	CATEGORY ANTENNA	
	APPROVED BY P.PESA	11/21/13	PRODUCT DESCRIPTION 824-960/1710-220/2400MHZ 2dBi TRI-BAND OMNI ANTENNA	
ANGULAR TOLERANCES: ALL = ± 1°	CONFIGURATION DETAILS OF UNDIMENSIONED FEATURES MAY VARY		SIZE <b>A</b>	FSCM NO. <b>43321</b>
PROJECTION 	COLOR VARIATIONS MAY OCCUR		DWG. NO. HG924-2TP	REV. <b>A</b>
SCALE: NONE			CAD FILE: HG924-2TP.SLDDRW	
			SHEET 1 OF 1	