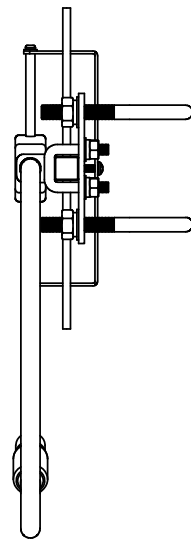
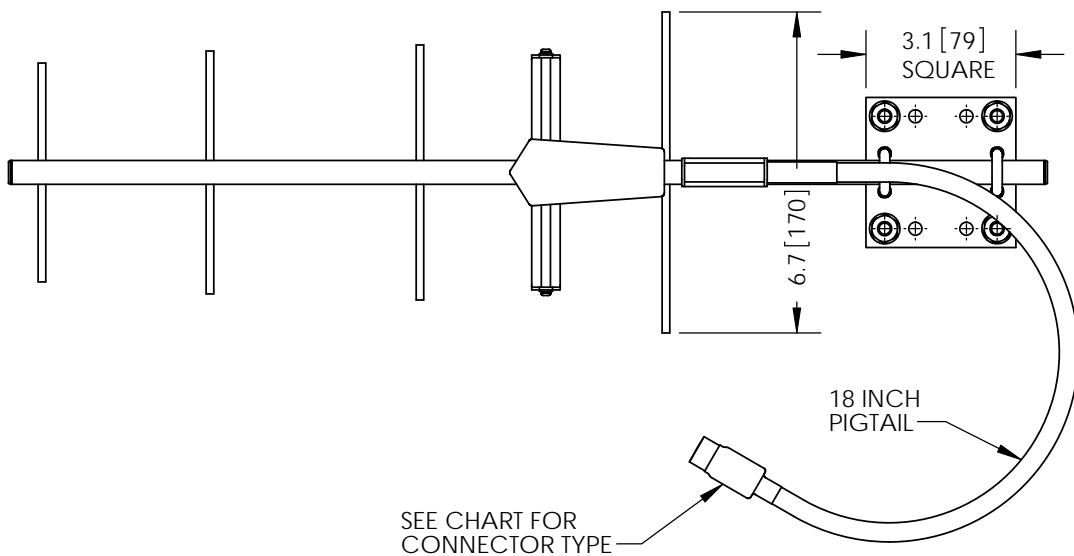
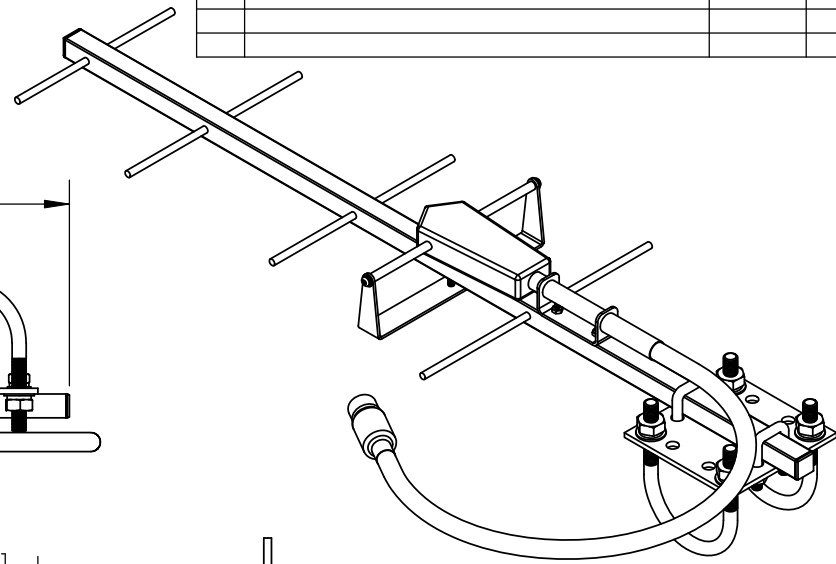
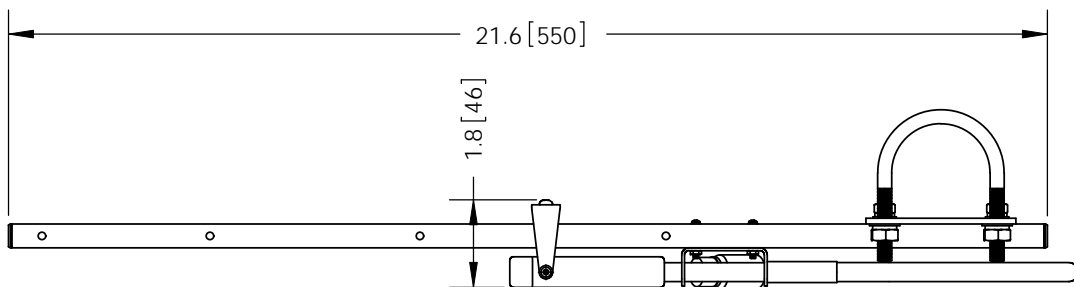


THE INFORMATION CONTAINED IN THIS DRAWING IS THE SOLE PROPERTY OF L-COM, INC. ANY REPRODUCTION IN PART OR WHOLE WITHOUT THE WRITTEN PERMISSION OF L-COM, INC. IS PROHIBITED.

REVISIONS			
REV	DESCRIPTION	DATE	APPROVED
A	INITIAL RELEASE	11/11/11	B.PUCHASKI



MODEL# HG909Y-	
SUFFIX	CONNECTOR TYPE
NF	N-FEMALE
NM	N-MALE
RSP	RP SMA-PLUG
RTP	RP TNC-PLUG
RSJ	RP SMA-JACK
RTJ	RP TNC-JACK
RBP	RP BNC PLUG
SM	SMA MALE
TM	TNC MALE
TF	TNC FEMALE

RoHS Compliant ✓

NOTES:  
 PACKAGING:  
 COMPONENT SHALL BE PACKAGED IN ACCORDANCE WITH L-COM SPEC PKG-00021 AND PKG-00030  
 - ALL DIMENSIONS FOR REFERENCE -

UNLESS OTHERWISE SPECIFIED, DIMENSIONS ARE IN INCHES [mm]  DIMENSIONAL TOLERANCES: .X = ±.1 .XX = ±.01 .XXX = ±.005  ANGULAR TOLERANCES: ALL = ± 1°  PROJECTION	APPROVALS B.PUCHASKI	DATE 11/11/11		45 BEECHWOOD DRIVE NORTH ANDOVER, MA 01845	
	CHECKED BY P.PESA	11/11/11		CATEGORY ANTENNA	
	APPROVED BY P.PESA	11/11/11	PRODUCT DESCRIPTION 900MHz 9dBi YAGI ANTENNA W/ 18 INCH CONNECTOR PIGTAIL		
	CONFIGURATION DETAILS OF UNDIMENSIONED FEATURES MAY VARY  COLOR VARIATIONS MAY OCCUR	SIZE <b>A</b>	FSCM NO. <b>43321</b>	DWG. NO. HG909Y	REV. <b>A</b>
SCALE: NONE		CAD FILE: HG909Y.SLDDRW		SHEET 1 OF 1	