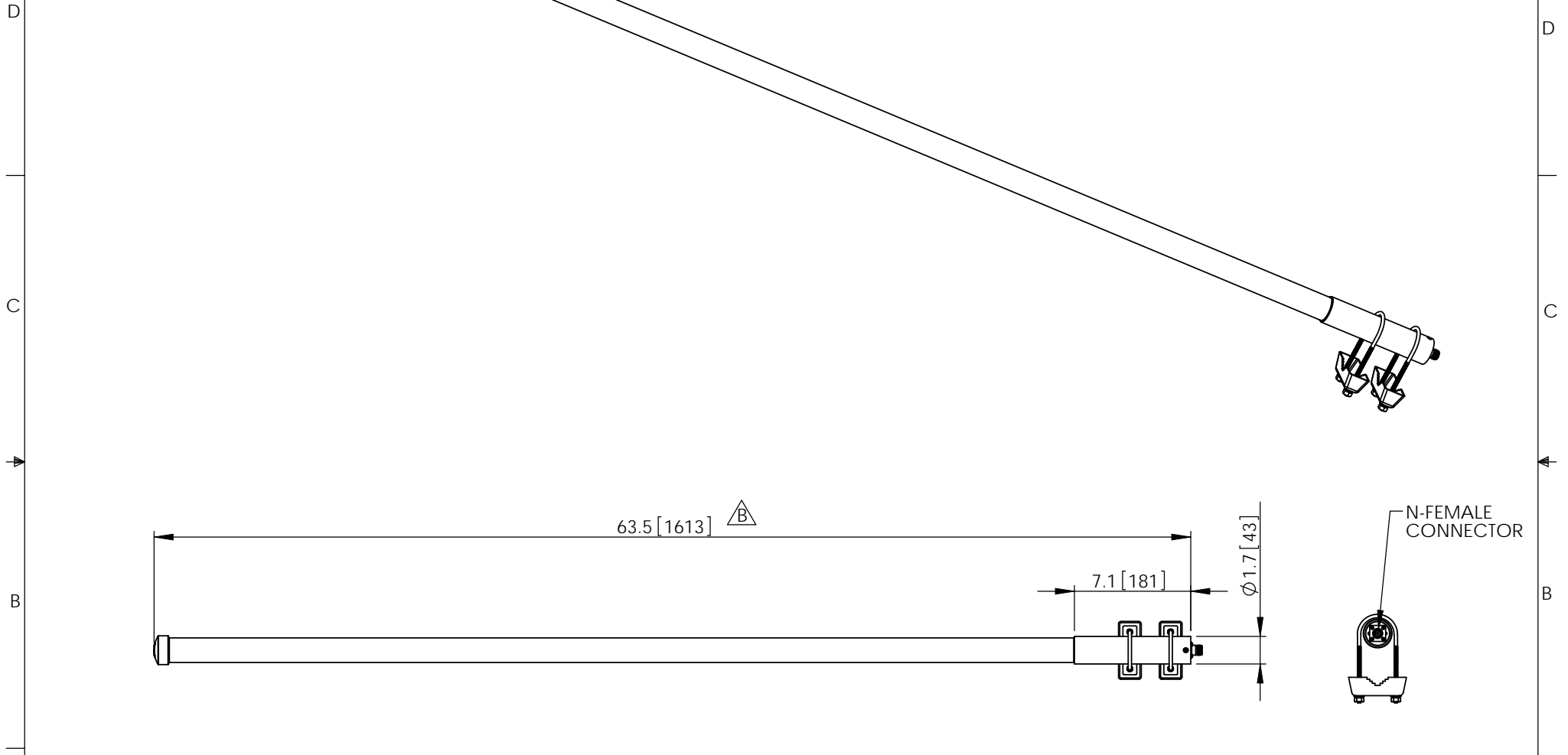


THE INFORMATION CONTAINED IN THIS DRAWING IS THE SOLE PROPERTY OF L-COM, INC. ANY REPRODUCTION IN PART OR WHOLE WITHOUT THE WRITTEN PERMISSION OF L-COM, INC. IS PROHIBITED.

REVISIONS			
REV	DESCRIPTION	DATE	APPROVED
A	INITIAL RELEASE	04/19/11	B.PUCHASKI
B	ECN#6172 NEW ANTENNA LENGTH	05/04/12	B.PUCHASKI



N-FEMALE CONNECTOR

RoHS Compliant ✓

NOTES:  
 PACKAGING:  
 COMPONENT SHALL BE PACKAGED IN ACCORDANCE WITH L-COM SPEC PKG-00080.

UNLESS OTHERWISE SPECIFIED, DIMENSIONS ARE IN INCHES [mm]  DIMENSIONAL TOLERANCES: .X = ±.1 .XX = ±.01 .XXX = ±.005  ANGULAR TOLERANCES: ALL = ± 1°	APPROVALS	DATE		45 BEECHWOOD DRIVE NORTH ANDOVER, MA 01845	
	DRAWN BY B. PUCHASKI	04/19/11			
	CHECKED BY T. VADEN	04/19/11	CATEGORY	ANTENNA	
APPROVED BY T. VADEN	04/19/11	PRODUCT DESCRIPTION	900MHz 8 dBi OMNI ANTENNA		
PROJECTION 	COLOR VARIATIONS MAY OCCUR	SIZE <b>A</b>	FSCM NO. <b>43321</b>	DWG. NO. <b>HG908U-PRO</b>	REV. <b>B</b>
		SCALE: NONE	CAD FILE: HG908U-PRO.SLDDRW	SHEET 1 OF 1	