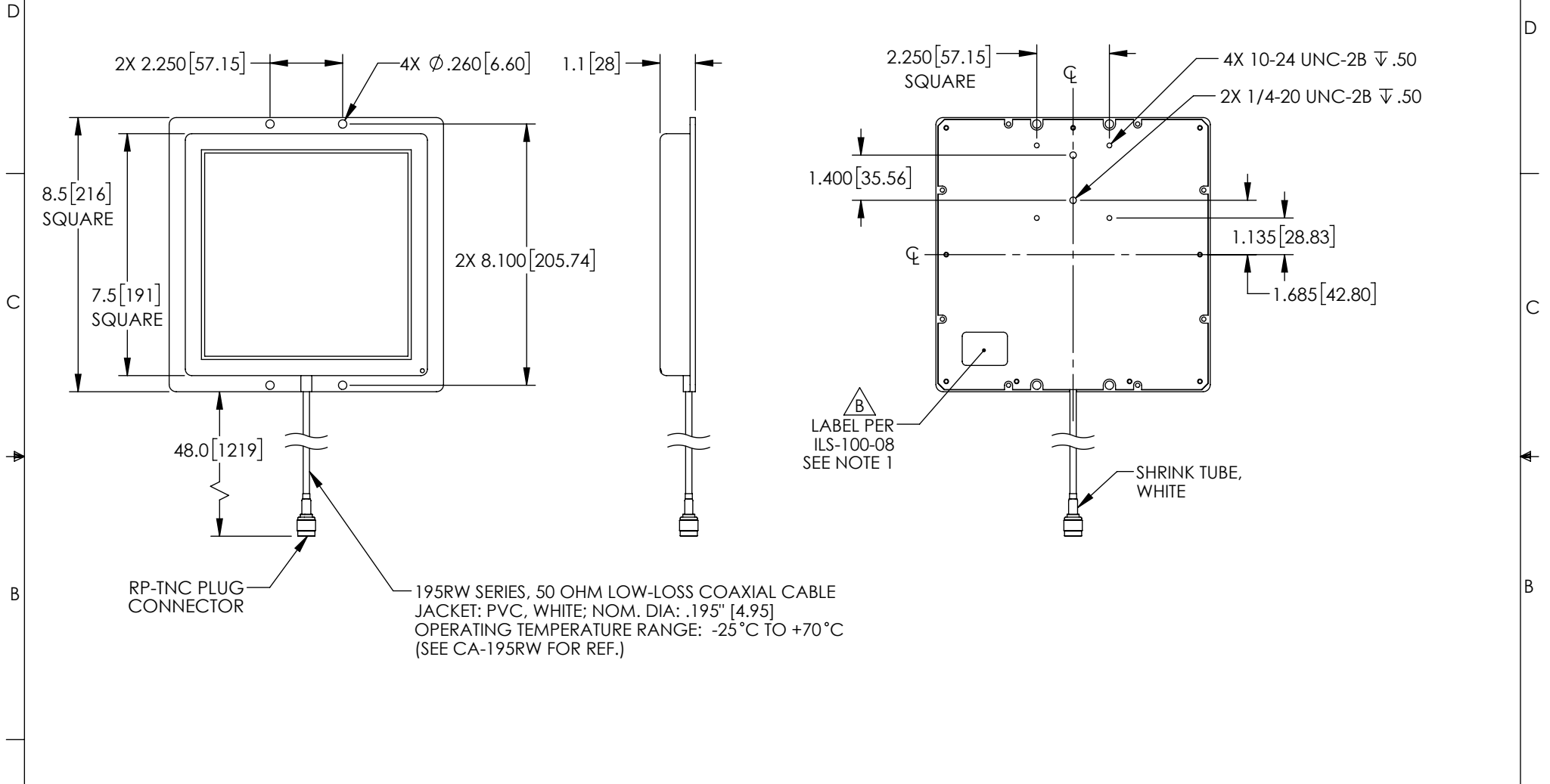



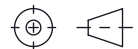
THE INFORMATION CONTAINED IN THIS DRAWING IS THE SOLE PROPERTY OF L-COM, INC. ANY REPRODUCTION IN PART OR WHOLE WITHOUT THE WRITTEN PERMISSION OF L-COM, INC. IS PROHIBITED.

REVISIONS			
REV	DESCRIPTION	DATE	APPROVED
A	INITIAL RELEASE	08/15/2012	D.GRIFFIN
B	ECN 10766: ADDED NOTE, UPDATED DRAWING	11/04/2020	KHIETPAS



NOTES:

1. LABEL PER ILS-100-08. FOR INTERNAL REFERENCE ONLY. LABEL LOCATION AS SHOWN.
 2. PACKAGING:
COMPONENT SHALL BE PACKAGED IN ACCORDANCE WITH L-COM SPEC PKG-00012.
- ALL DIMENSIONS FOR REFERENCE ONLY -

UNLESS OTHERWISE SPECIFIED, DIMENSIONS ARE IN INCHES [mm] OVERALL CABLE LENGTH TOLERANCE: ≤12 [305] = +1 [25] / -0 >12 [305] ≤60 [1524] = +2 [51] / -0 >60 [1524] ≤120 [3048] = +4 [102] / -0 >120 [3048] ≤300 [7620] = +6 [152] / -0 >300 [7620] = +5% / -0 ALL OTHER DIMENSIONAL TOLERANCES: .X = ± .2 [5] FRACTIONS ± 1/32 .XX = ± .02 [.5] ANGLES ± 1° .XXX = ± .005 [.13]	APPROVALS DRAWN BY B.PUCHASKI	DATE 08/15/12	 50 High Street, West Mill, North Andover, MA 01845 USA. Phone: 1.800.341.5266 1.978.682.6936	
	CHECKED BY P.PESA	08/15/12		CATEGORY ANTENNA
	APPROVED BY P.PESA	08/15/12		PRODUCT DESCRIPTION 900MHz 8dBi RH Cir. Polarized Flat Panel Antenna w/ 4 Foot Pigtail and RP-TNC Plug Connector
THIRD-ANGLE PROJECTION 	CONFIGURATION DETAILS OF UNDIMENSIONED FEATURES MAY VARY	COLOR VARIATIONS MAY OCCUR	SIZE A	
SCALE: NONE		CAGE CODE 43321	ITEM NO. HG908PCR-RTP	
SHEET 1 OF 1			REV. B	