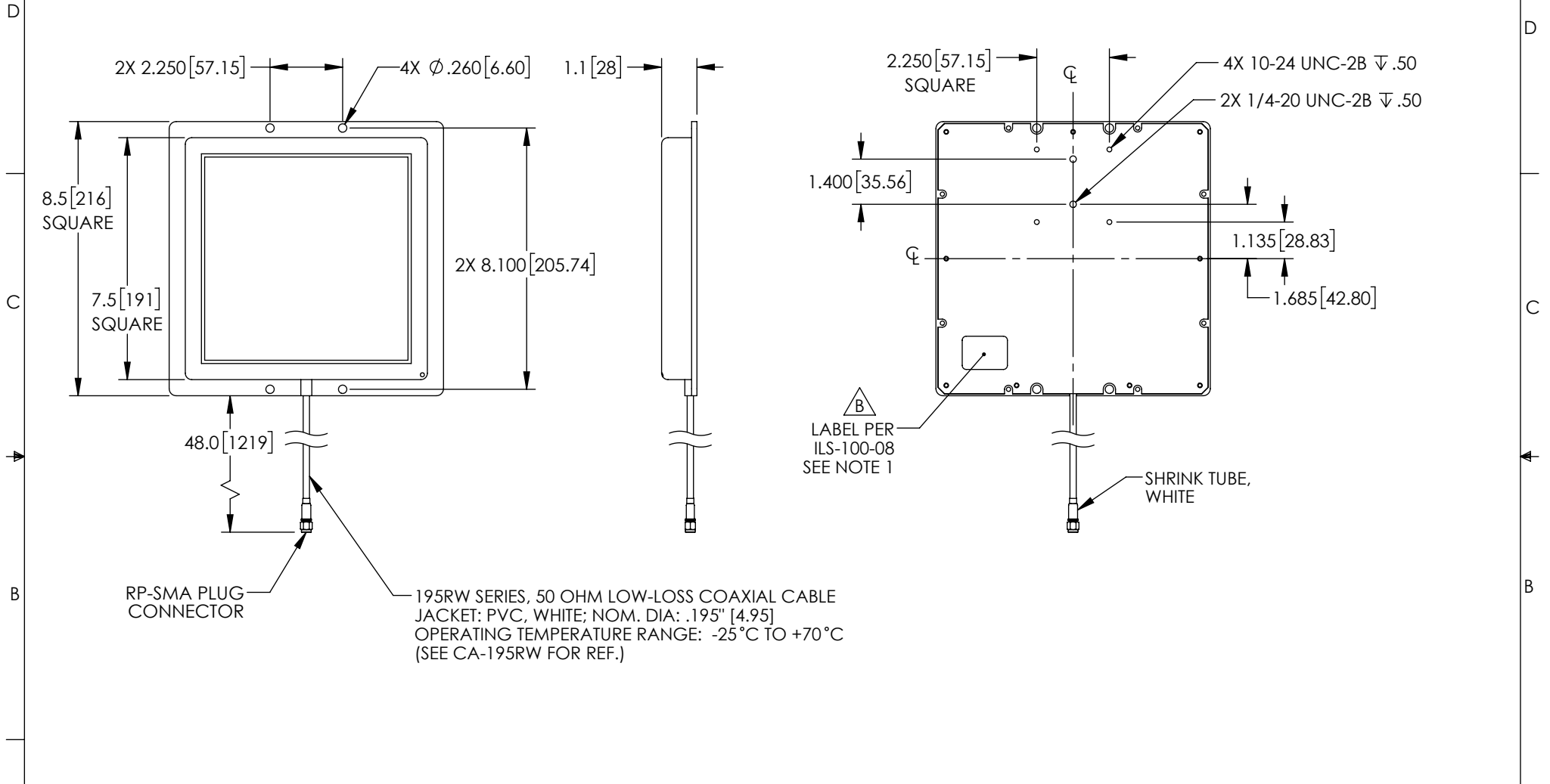


THE INFORMATION CONTAINED IN THIS DRAWING IS THE SOLE PROPERTY OF L-COM, INC. ANY REPRODUCTION IN PART OR WHOLE WITHOUT THE WRITTEN PERMISSION OF L-COM, INC. IS PROHIBITED.


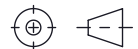
REVISIONS			
REV	DESCRIPTION	DATE	APPROVED
A	INITIAL RELEASE	08/15/2012	D.GRIFFIN
B	ECN 10766: ADDED NOTE, UPDATED DRAWING	11/05/2020	KHIETPAS



RP-SMA PLUG CONNECTOR

195RW SERIES, 50 OHM LOW-LOSS COAXIAL CABLE
 JACKET: PVC, WHITE; NOM. DIA: .195" [4.95]
 OPERATING TEMPERATURE RANGE: -25°C TO +70°C
 (SEE CA-195RW FOR REF.)

- NOTES:
1. LABEL PER ILS-100-08. FOR INTERNAL REFERENCE ONLY. LABEL LOCATION AS SHOWN.
 2. PACKAGING: COMPONENT SHALL BE PACKAGED IN ACCORDANCE WITH L-COM SPEC PKG-00012.
- ALL DIMENSIONS FOR REFERENCE ONLY -

UNLESS OTHERWISE SPECIFIED, DIMENSIONS ARE IN INCHES [mm] OVERALL CABLE LENGTH TOLERANCE: ≤12 [305] = +1 [25] / -0 >12 [305] ≤60 [1524] = +2 [51] / -0 >60 [1524] ≤120 [3048] = +4 [102] / -0 >120 [3048] ≤300 [7620] = +6 [152] / -0 >300 [7620] = +5% / -0 ALL OTHER DIMENSIONAL TOLERANCES: .X = ± .2 [5] FRACTIONS ± 1/32 .XX = ± .02 [5] ANGLES ± 1° .XXX = ± .005 [1.3]	APPROVALS DRAWN BY B.PUCHASKI	DATE 08/15/12	 50 High Street, West Mill, North Andover, MA 01845 USA. Phone: 1.800.341.5266 1.978.682.6936	
	CHECKED BY P.PESA	08/15/12		CATEGORY ANTENNA
	APPROVED BY P.PESA	08/15/12		PRODUCT DESCRIPTION 900MHz 8dBi RH CIR. POLARIZED FLAT PANEL ANTENNA W/4 FOOT PIGTAIL AND RP-SMA PLUG CONNECTOR
	THIRD-ANGLE PROJECTION 	CONFIGURATION DETAILS OF UNDIMENSIONED FEATURES MAY VARY		COLOR VARIATIONS MAY OCCUR
SCALE: NONE		CAGE CODE 43321	ITEM NO. HG908PCR-RSP	REV. B
CAD FILE: HG908PCR-RSP.SLDDRW			SHEET 1 OF 1	