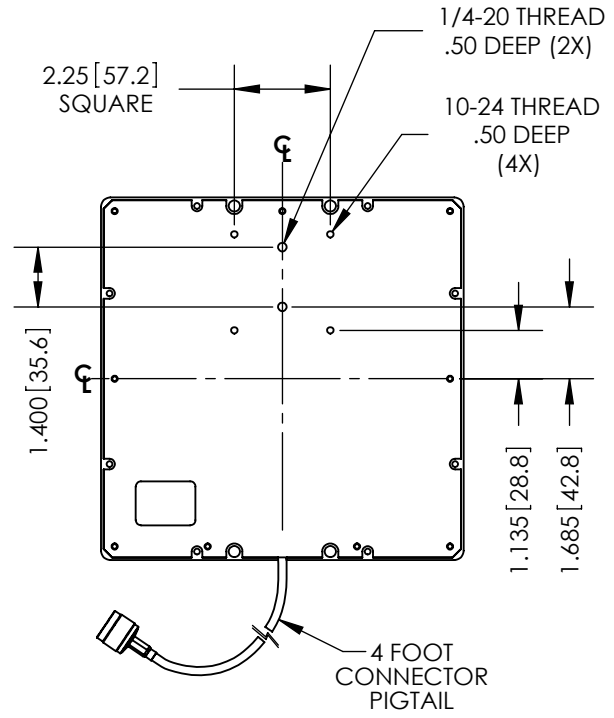
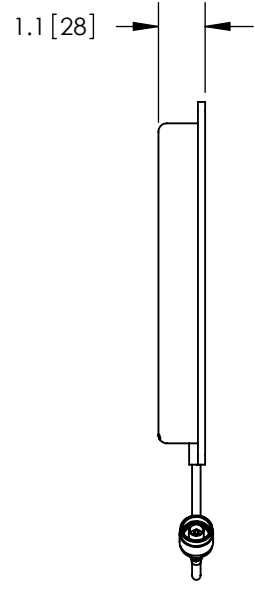
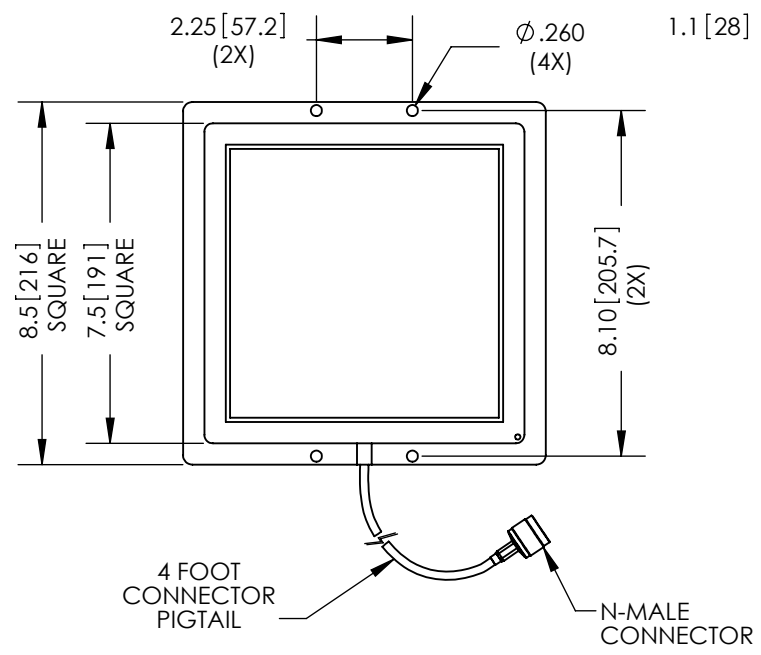
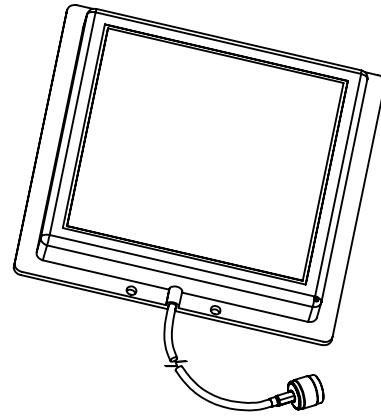


THE INFORMATION CONTAINED IN THIS DRAWING IS THE SOLE PROPERTY OF L-COM, INC. ANY REPRODUCTION IN PART OR WHOLE WITHOUT THE WRITTEN PERMISSION OF L-COM, INC. IS PROHIBITED.

REVISIONS			
REV	DESCRIPTION	DATE	APPROVED
A	INITIAL RELEASE	08/15/12	D.GRIFFIN
-	-	-	-
-	-	-	-



NOTES:  
 PACKAGING:  
 COMPONENT SHALL BE PACKAGED IN ACCORDANCE WITH L-COM SPEC PKG-00012  
 - ALL DIMENSIONS FOR REFERENCE ONLY -

**RoHS Compliant** ✓

UNLESS OTHERWISE SPECIFIED, DIMENSIONS ARE IN INCHES [mm]  DIMENSIONAL TOLERANCES: .X = ±.1 .XX = ±.01 .XXX = ±.005  ANGULAR TOLERANCES: ALL = ± 1°  PROJECTION 	APPROVALS	DATE		45 BEECHWOOD DRIVE NORTH ANDOVER, MA 01845	
	DRAWN BY B.PUCHASKI	08/15/12			
	CHECKED BY P.PESA	08/15/12	CATEGORY	ANTENNA	
	APPROVED BY P.PESA	08/15/12	PRODUCT DESCRIPTION	900MHz 8dBi LH CIR. POLARIZED FLAT PANEL ANTENNA W/4 FOOT PIGTAIL AND N-MALE CONNECTOR	
	CONFIGURATION DETAILS OF UNDIMENSIONED FEATURES MAY VARY	SIZE	FSCM NO.	DWG. NO.	REV.
	COLOR VARIATIONS MAY OCCUR	A	43321	HG908PCL-NM	A
		SCALE: NONE	CAD FILE: HG908PCL-NM.SLDDRW	SHEET 1 OF 1	