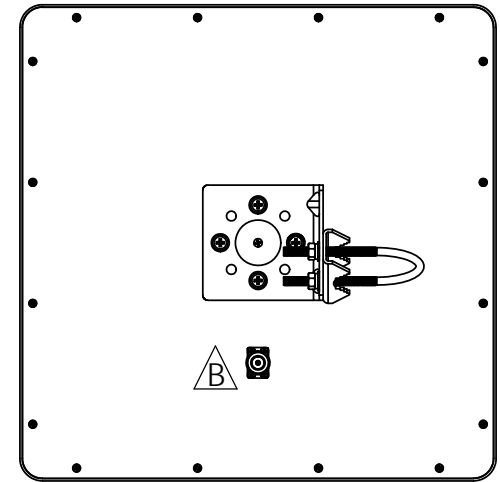
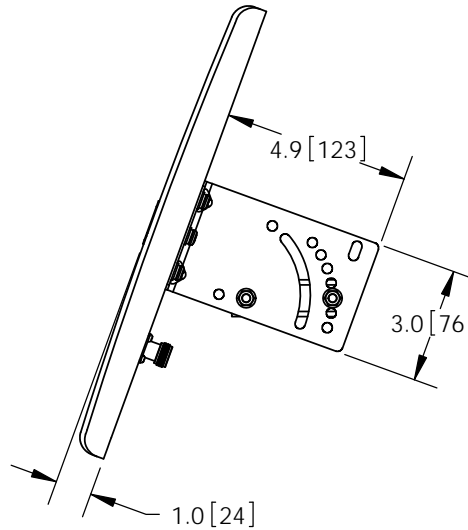
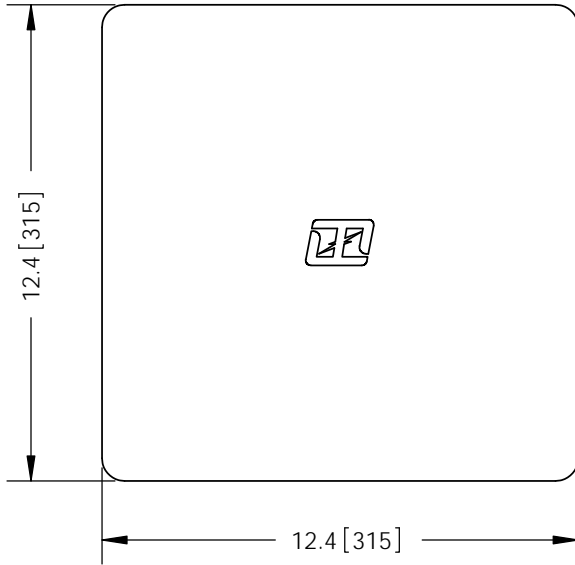
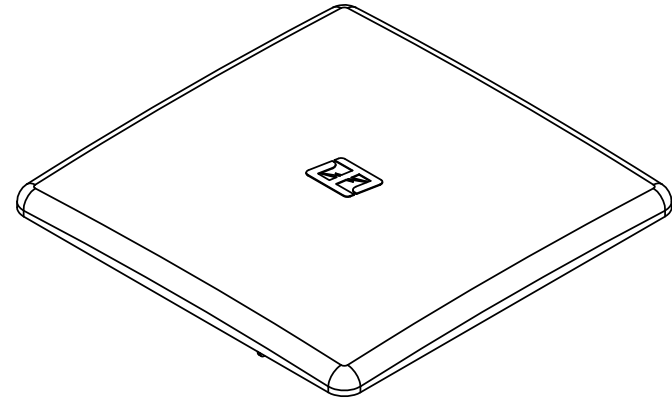
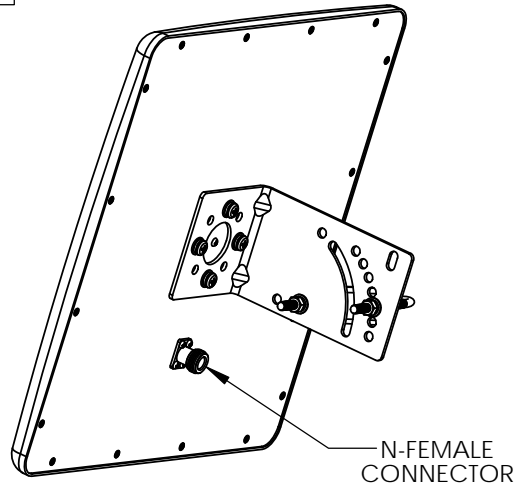



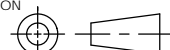
THE INFORMATION CONTAINED IN THIS DRAWING IS THE SOLE PROPERTY OF L-COM, INC. ANY REPRODUCTION IN PART OR WHOLE WITHOUT THE WRITTEN PERMISSION OF L-COM, INC. IS PROHIBITED.

REVISIONS			
REV	DESCRIPTION	DATE	APPROVED
A	INITIAL RELEASE	7/27/12	D. DESJARDIN
B	ECN# 6434 LOWER CONNECTOR LOC. ON BACK OF ANTENNA BY 3.125	09/27/12	B.PUCHASKI



RoHS Compliant ✓

NOTES:
 PACKAGING:
 COMPONENT SHALL BE PACKAGED IN ACCORDANCE WITH L-COM SPEC PKG-00028
 -ALL DIMENSIONS FOR REFERENCE-

UNLESS OTHERWISE SPECIFIED, DIMENSIONS ARE IN INCHES [mm] DIMENSIONAL TOLERANCES: .X = ±.1 .XX = ±.01 .XXX = ±.005 ANGULAR TOLERANCES: ALL = ± 1°	APPROVALS	DATE	 45 BEECHWOOD DRIVE NORTH ANDOVER, MA 01845
	DRAWN BY B.PUCHASKI	07/27/12	
PROJECTION 	CHECKED BY T.VADEN	07/27/12	CATEGORY ANTENNA
	APPROVED BY P.PESA	07/27/12	PRODUCT DESCRIPTION 824-960MHz 9dBi FLAT PANEL ANTENNA W/N-FEMALE CONNECTOR
	CONFIGURATION DETAILS OF UNDIMENSIONED FEATURES MAY VARY		SIZE A
	COLOR VARIATIONS MAY OCCUR		FSCM NO. 43321
			DWG. NO. HG8909P
			REV. B
			SCALE: NONE
			CAD FILE: HG8909P.SLDDRW
			SHEET 1 OF 1