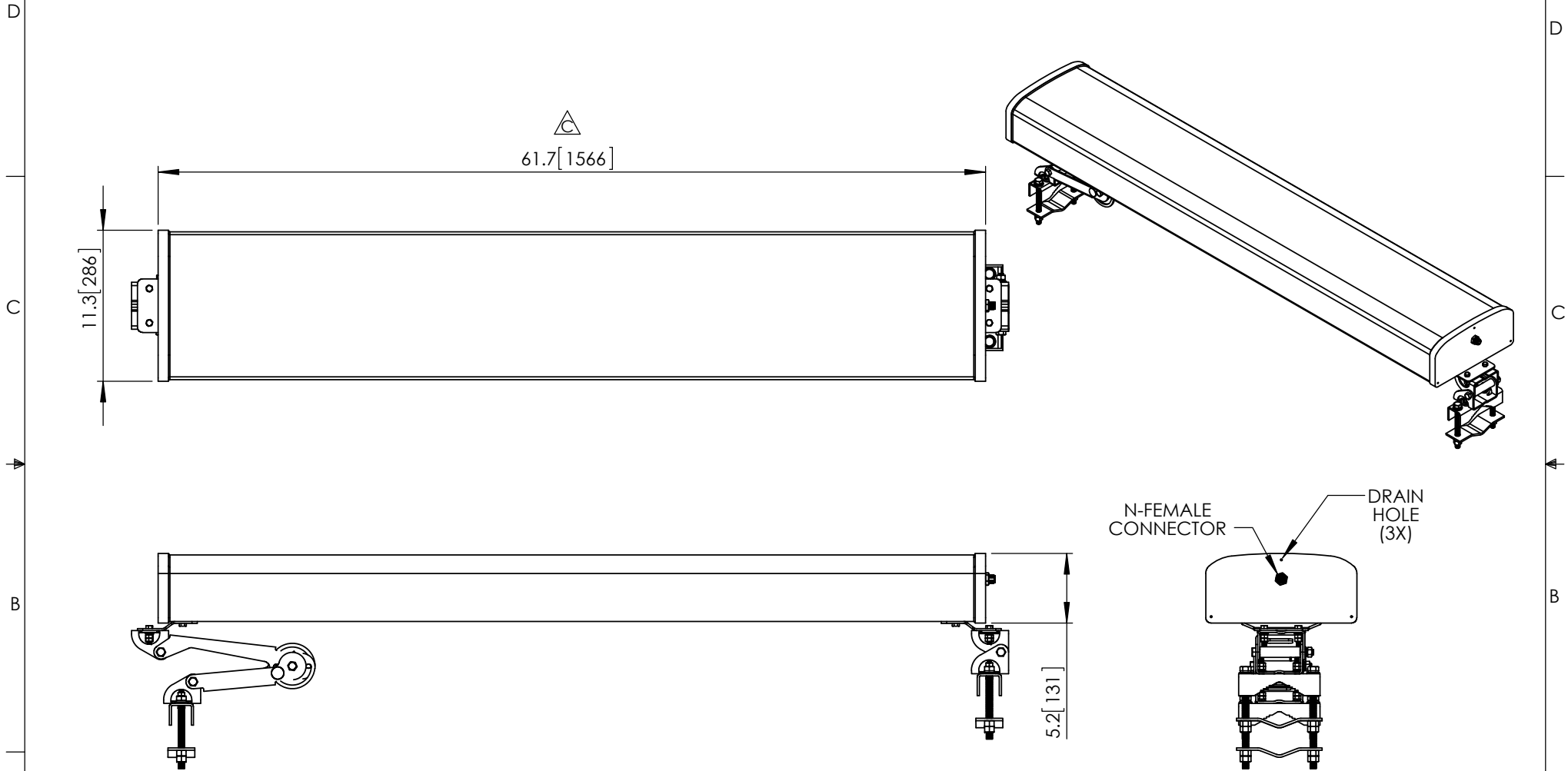


THE INFORMATION CONTAINED IN THIS DRAWING IS THE SOLE PROPERTY OF L-COM, INC. ANY REPRODUCTION IN PART OR WHOLE WITHOUT THE WRITTEN PERMISSION OF L-COM, INC. IS PROHIBITED.

REVISIONS			
REV	DESCRIPTION	DATE	APPROVED
A	INITIAL RELEASE PER D.FRISIELLO	03/20/14	D.FRISIELLO
B	ECN 8821: REMOVE 2 CHAMFERS FROM BOTTOM	6/20/17	R.CLARK
C	ECN 9013 UPDATE PER VENDOR SPEC	12/18/17	B.PUCHASKI



**NOTES:**  
**PACKAGING:**  
 COMPONENT SHALL BE PACKAGED IN ACCORDANCE WITH L-COM SPEC PKG-00050.

- ALL DIMMENSIONS FOR REFERENCE -

**REGULATORY COMPLIANCE:**  
 CE2011/65/EU (RoHS DIRECTIVE)

UNLESS OTHERWISE SPECIFIED, DIMENSIONS ARE IN INCHES [mm] OVERALL CABLE LENGTH TOLERANCE: ≤12 [305] = +1 [25] / -0 >12 [305] ≤60 [1524] = +2 [51] / -0 >60 [1524] ≤120 [3048] = +4 [102] / -0 >120 [3048] ≤300 [7620] = +6 [152] / -0 >300 [7620] = +5% / -0%	APPROVALS	DATE		50 HIGH STREET NORTH ANDOVER, MA 01845
	DRAWN BY B.PUCHASKI CHECKED BY P.PESA APPROVED BY P.PESA	03/20/14		03/20/14
ALL OTHER DIMENSIONAL TOLERANCES: .X = ± .2 [5.08] .XX = ± .02 [1.51] .XXX = ± .005 [1.13]	CONFIGURATION DETAILS OF UNDIMENSIONED FEATURES MAY VARY	COLOR VARIATIONS MAY OCCUR	PRODUCT DESCRIPTION 700MHz-2.7GHz 12dBi 120° Panel Antenna w/N-Female Connector	
PROJECTION 	SIZE <b>A</b>	FSCM NO. <b>43321</b>	DWG. NO. <b>HG72712P-120</b>	REV. <b>C</b>
SCALE: NONE			CAD FILE: HG72712P-120.SLDDRW	
			SHEET 1 OF 1	