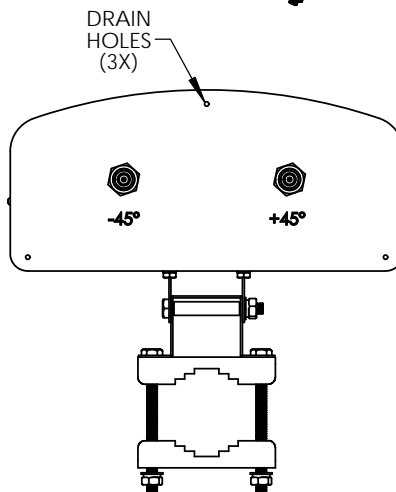
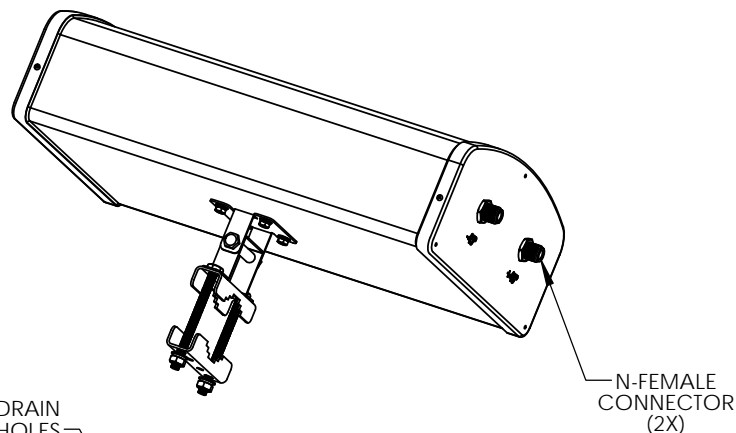
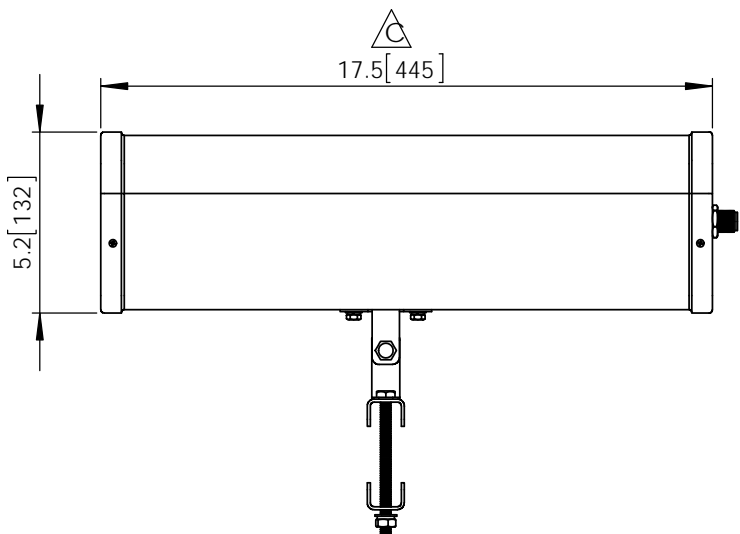
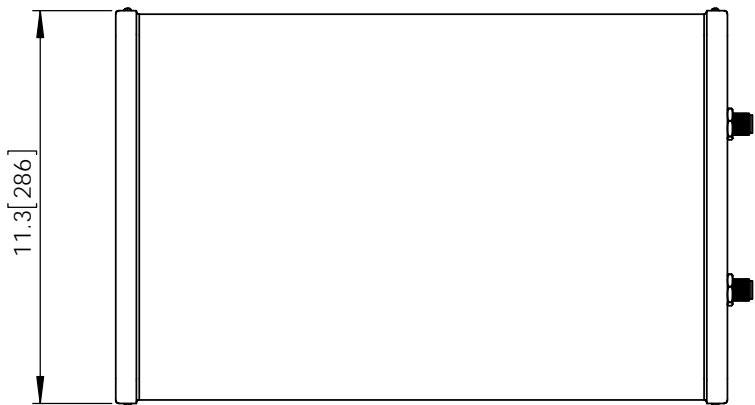


THE INFORMATION CONTAINED IN THIS DRAWING IS THE SOLE PROPERTY OF L-COM, INC. ANY REPRODUCTION IN PART OR WHOLE WITHOUT THE WRITTEN PERMISSION OF L-COM, INC. IS PROHIBITED.


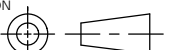
REVISIONS			
REV	DESCRIPTION	DATE	APPROVED
A	INITIAL RELEASE	3/19/13	D.GRIFFIN
B	ECN 6977 CORRECT FILE# -65 TO -065, UPDATE PKG SPEC, UPDATE RoHS NOTE	07/26/13	B.PUCHASKI
C	ECN 9013 UPDATE PER VENDOR SPECS	12/18/17	B.PUCHASKI



NOTES:
PACKAGING:
 COMPONENT SHALL BE PACKAGED IN ACCORDANCE WITH L-COM SPEC PKG-00102.

- ALL DIMMENSIONS FOR REFERENCE -

REGULATORY COMPLIANCE:
 CE2011/65/EU(RoHS DIRECTIVE)

UNLESS OTHERWISE SPECIFIED, DIMENSIONS ARE IN INCHES [mm]	APPROVALS	DATE	 50 HIGH STREET NORTH ANDOVER, MA 01845
	DRAWN BY B.PUCHASKI	03/18/13	
DIMENSIONAL TOLERANCES: .X = ±.1 [2.54] .XX = ±.01 [.25] .XXX = ±.005 [.13]	CHECKED BY P.PESA	03/18/13	CATEGORY ANTENNA
	APPROVED BY P.PESA	03/18/13	
ANGULAR TOLERANCES: ALL = ± 1°	CONFIGURATION DETAILS OF UNDIMENSIONED FEATURES MAY VARY		PRODUCT DESCRIPTION 700MHz-2.7GHz 10dBi 65° CROSS POLARITY PANEL ANTENNA W/ N-FEMALE CONNECTORS
PROJECTION 	COLOR VARIATIONS MAY OCCUR	SIZE A	FSCM NO. 43321
		DWG. NO. HG72710XP-065	REV. C
		SCALE: NONE	CAD FILE: HG72710XP-065.SLDDRW
			SHEET 1 OF 1