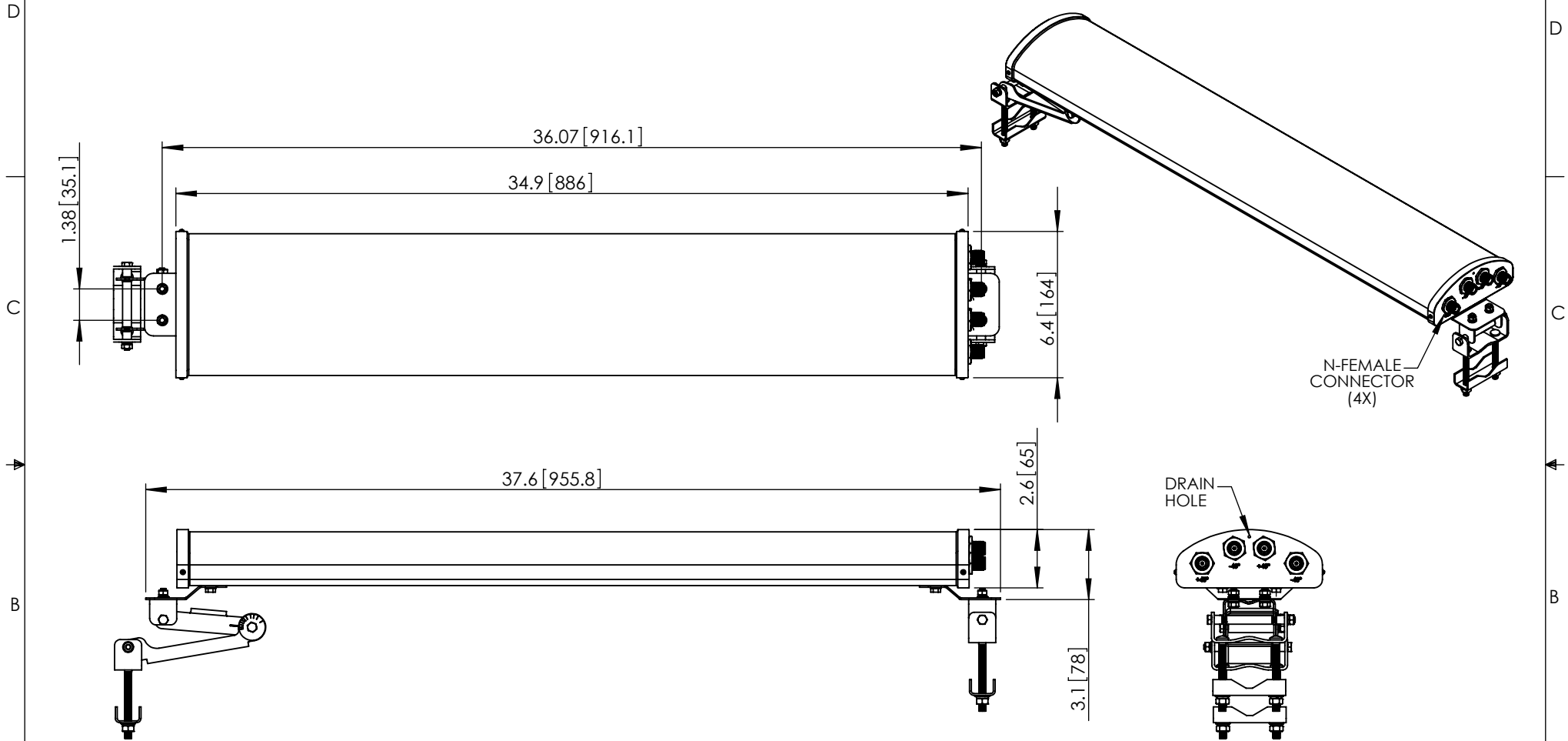


THE INFORMATION CONTAINED IN THIS DRAWING IS THE SOLE PROPERTY OF L-COM, INC. ANY REPRODUCTION IN PART OR WHOLE WITHOUT THE WRITTEN PERMISSION OF L-COM, INC. IS PROHIBITED.

REVISIONS			
REV	DESCRIPTION	DATE	APPROVED
A	INITIAL RELEASE	1/13/14	D.GRIFFIN



NOTES:

PACKAGING:
 COMPONENT SHALL BE PACKAGED IN ACCORDANCE WITH L-COM SPEC PKG-00057.

- ALL DIMENSIONS FOR REFERENCE ONLY -

REGULATORY COMPLIANCE:
 CE2011/65/EU (RoHS DIRECTIVE)

UNLESS OTHERWISE SPECIFIED, DIMENSIONS ARE IN INCHES [mm] DIMENSIONAL TOLERANCES: .X = ±.1 [2.54] .XX = ±.01 [.25] .XXX = ±.005 [.13] ANGULAR TOLERANCES: ALL = ± 1°	APPROVALS	DATE		45 BEECHWOOD DRIVE NORTH ANDOVER, MA 01845
	DRAWN BY B.PUCHASKI	01/10/13		
	CHECKED BY P.PESA	01/10/13	CATEGORY ANTENNA	
	APPROVED BY P.PESA	01/10/13	PRODUCT DESCRIPTION 5.1-5.8GHz 16dBi 90° CROSS POLARITY SECTOR PANEL ANTENNA W/ N-FEMALE CONNECTORS	
COLOR VARIATIONS MAY OCCUR	SIZE A	FSCM NO. 43321	DWG. NO. HG5816SXP-090	REV. A
SCALE: NONE		CAD FILE: HG5816SXP-090.SLDDRW		SHEET 1 OF 1