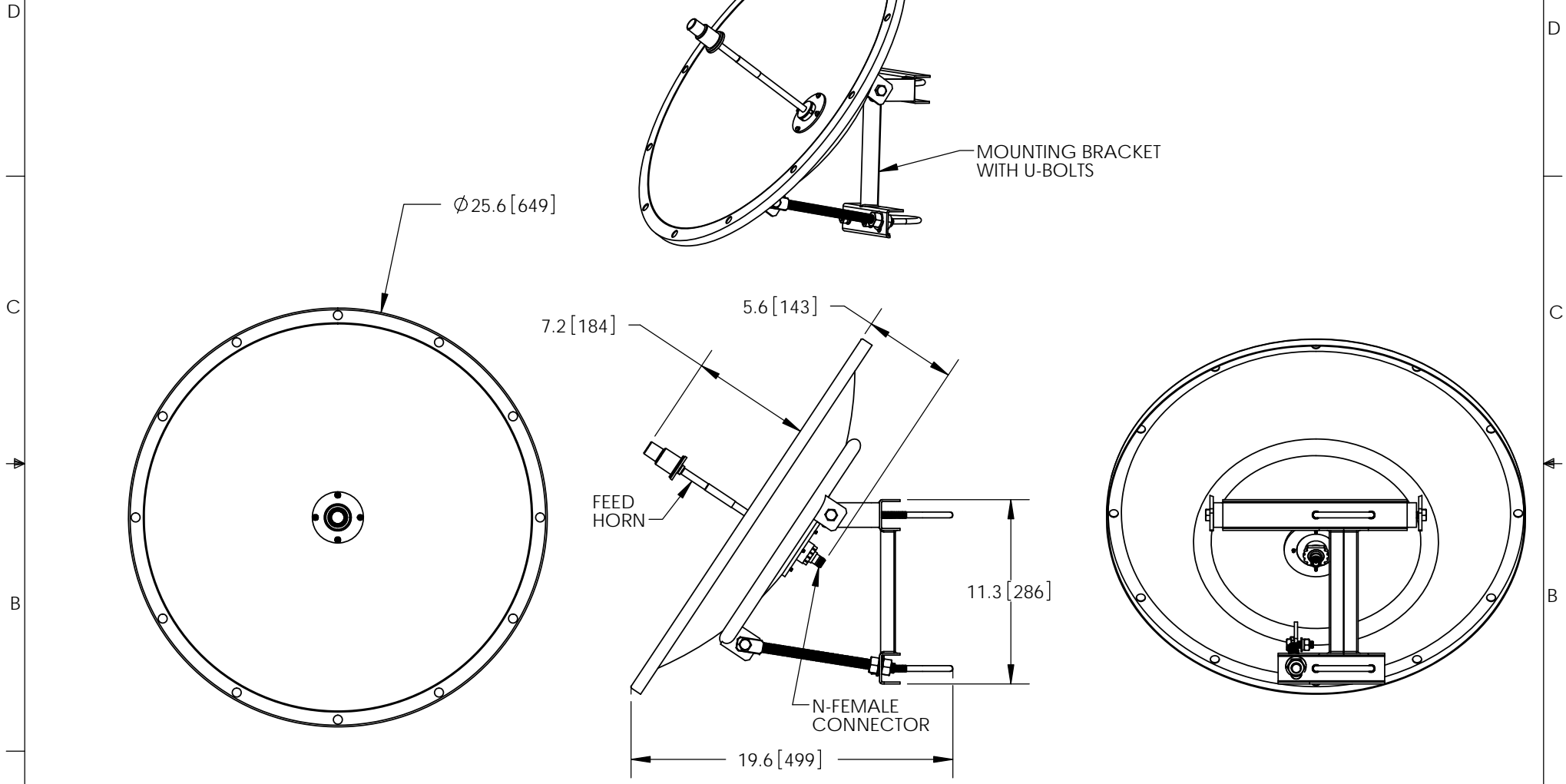


THE INFORMATION CONTAINED IN THIS DRAWING IS THE SOLE PROPERTY OF L-COM, INC. ANY REPRODUCTION IN PART OR WHOLE WITHOUT THE WRITTEN PERMISSION OF L-COM, INC. IS PROHIBITED.

REVISIONS			
REV	DESCRIPTION	DATE	APPROVED
A	INITIAL RELEASE	08/10/11	B.PUCHASKI
B	ECN8238 UPDATE PKG NOTE TO PKG-00086	01/20/16	B.PUCHASKI



NOTES:
 PACKAGING:
 COMPONENT SHALL BE PACKAGED IN ACCORDANCE WITH L-COM SPEC PKG-00086 $\triangle B$

- ALL DIMENSIONS FOR REFERENCE-

REGULATORY COMPLIANCE:
 CE2011/65/EU(RoHS DIRECTIVE)

UNLESS OTHERWISE SPECIFIED, DIMENSIONS ARE IN INCHES [mm] DIMENSIONAL TOLERANCES: .X = ± 0.1 [2.54] .XX = ± 0.01 [.25] .XXX = ± 0.005 [.13] ANGULAR TOLERANCES: ALL = $\pm 1^\circ$	APPROVALS	DATE		45 BEECHWOOD DRIVE NORTH ANDOVER, MA 01845
	DRAWN BY B.PUCHASKI	08/10/11		
	CHECKED BY P.PESA	08/10/11	CATEGORY ANTENNA	
	APPROVED BY P.PESA	08/10/11	PRODUCT DESCRIPTION 5.1GHz TO 5.8GHz 28dBi PARABOLIC DISH ANTENNA W/N-FEMALE CONNECTOR	
	CONFIGURATION DETAILS OF UNDIMENSIONED FEATURES MAY VARY		SIZE A	FSCM NO. 43321
	COLOR VARIATIONS MAY OCCUR		DWG. NO. HG5158-28D	REV. B
			SCALE: NONE	CAD FILE: HG5158-28D.SLDDRW
				SHEET 1 OF 1