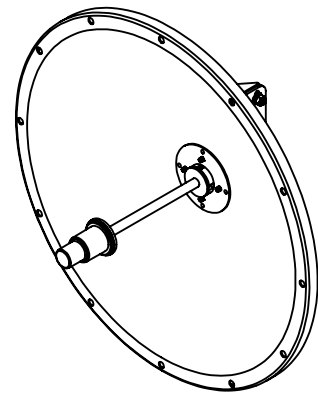
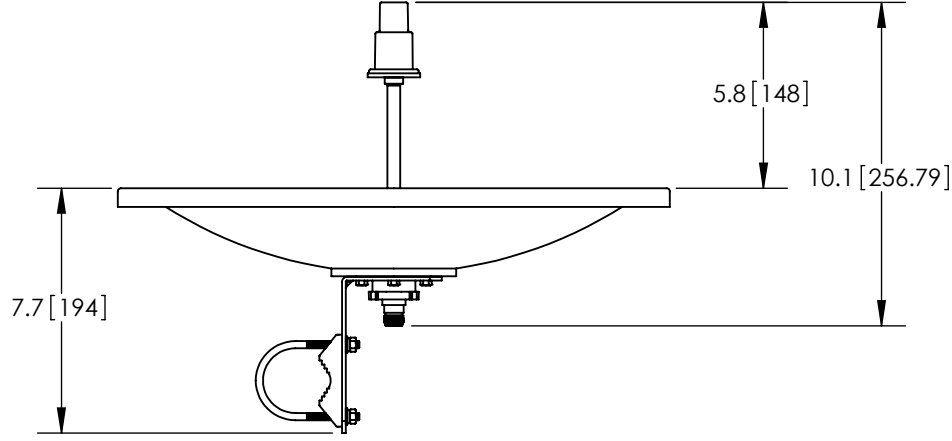
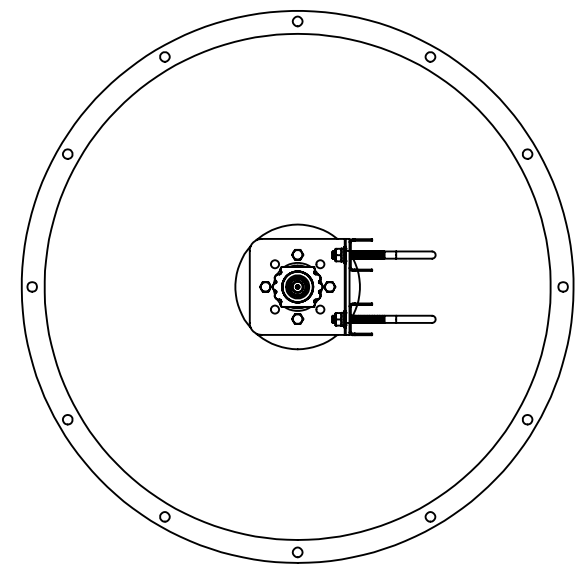
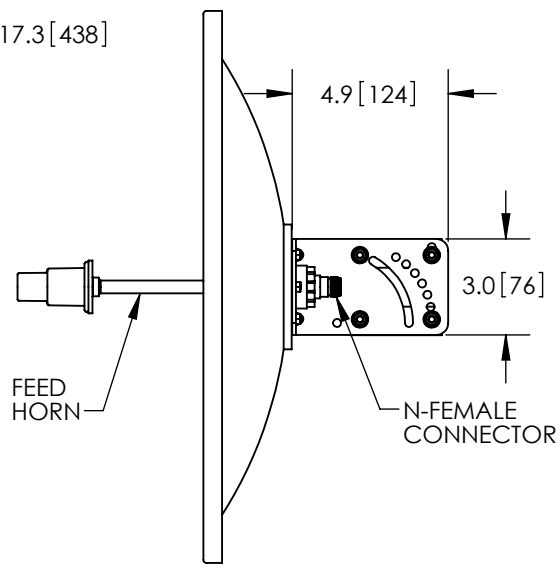
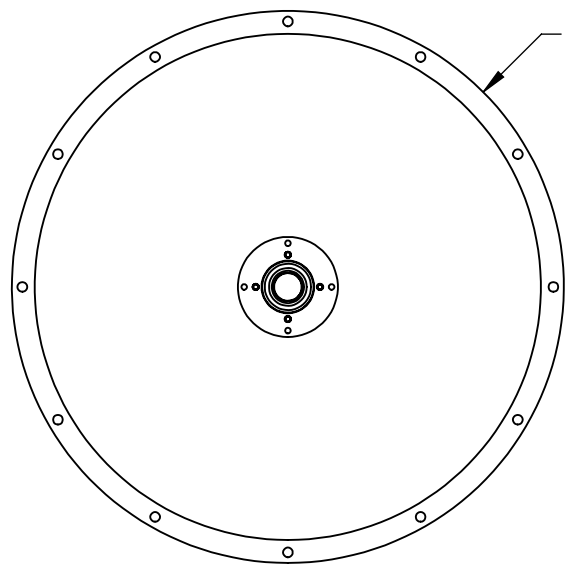


THE INFORMATION CONTAINED IN THIS DRAWING IS THE SOLE PROPERTY OF L-COM, INC. ANY REPRODUCTION IN PART OR WHOLE WITHOUT THE WRITTEN PERMISSION OF L-COM, INC. IS PROHIBITED.

REVISIONS			
REV	DESCRIPTION	DATE	APPROVED
A	INITIAL RELEASE	07/11/13	D.GRIFFIN



BACK VIEW



**NOTES:**  
 PACKAGING:  
 COMPONENT SHALL BE PACKAGED IN ACCORDANCE WITH L-COM SPEC PKG-00086

- ALL DIMENSIONS FOR REFERENCE-

**REGULATORY COMPLIANCE:**  
 RoHS, CE

UNLESS OTHERWISE SPECIFIED, DIMENSIONS ARE IN INCHES [mm]  DIMENSIONAL TOLERANCES: .X = ±.1 [2.54] .XX = ±.01 [.25] .XXX = ±.005 [.13]  ANGULAR TOLERANCES: ALL = ± 1°	APPROVALS	DATE		45 BEECHWOOD DRIVE NORTH ANDOVER, MA 01845	
	DRAWN BY B.PUCHASKI	07/11/13			
	CHECKED BY P.PESA	07/11/13	CATEGORY	ANTENNA	
	APPROVED BY P.PESA	07/11/13	PRODUCT DESCRIPTION	5.1 - 5.8GHz 23dBi PARABOLIC DISH ANTENNA W/ N-FEMALE CONNECTOR	
PROJECTION 	COLOR VARIATIONS MAY OCCUR	SIZE <b>A</b>	FSCM NO. <b>43321</b>	DWG. NO. <b>HG5158-23D</b>	REV. <b>A</b>
SCALE: NONE		CAD FILE: HG5158-23D.SLDDRW		SHEET 1 OF 1	