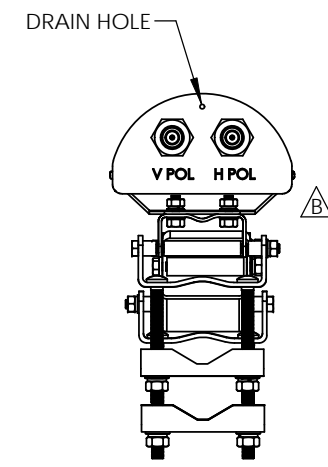
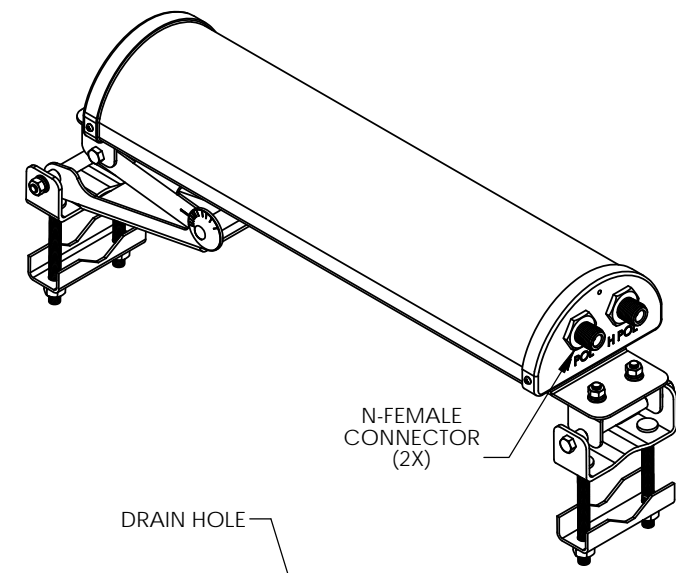
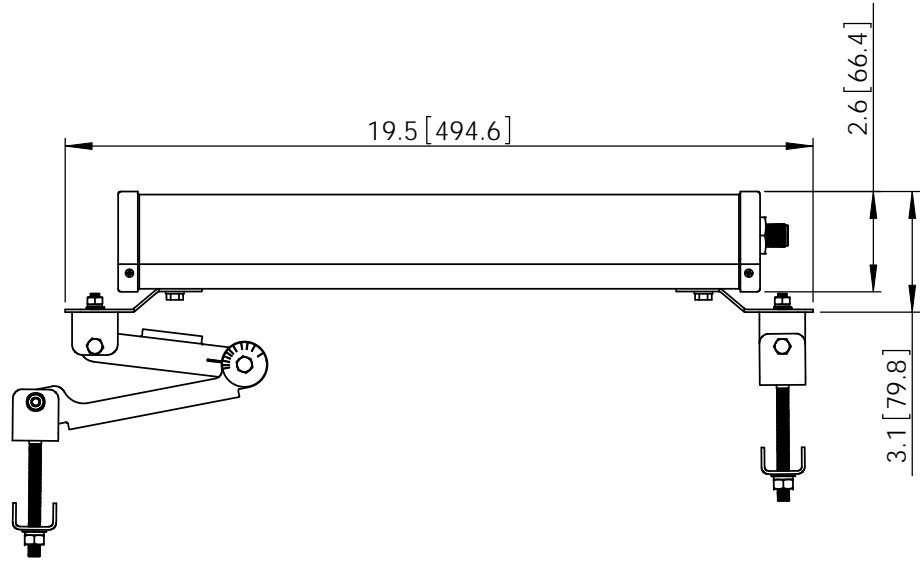
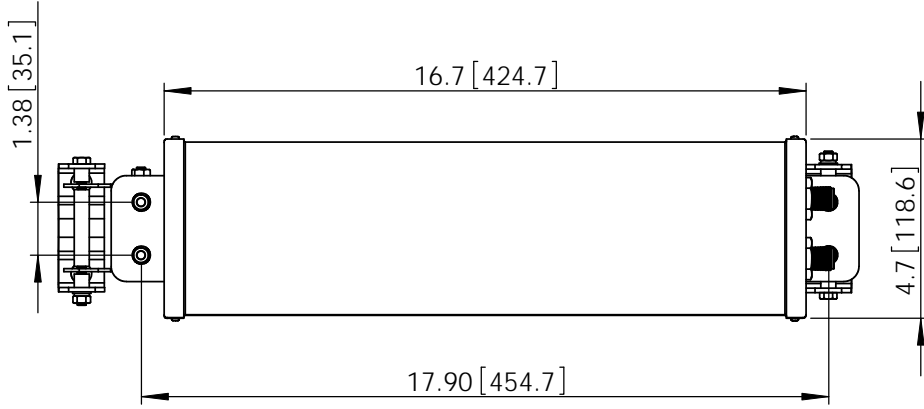


THE INFORMATION CONTAINED IN THIS DRAWING IS THE SOLE PROPERTY OF L-COM, INC. ANY REPRODUCTION IN PART OR WHOLE WITHOUT THE WRITTEN PERMISSION OF L-COM, INC. IS PROHIBITED.

| REVISIONS |   |          |            |
|-----------|---|----------|------------|
| REV       | DESCRIPTION   | DATE     | APPROVED   |
| A         | INITIAL RELEASE   | 12/7/11  | D.GRIFFIN  |
| B         | ECN6040 ADD SURFACE TEXT FOR CONNECTOR POLARITY, NEW PKG# | 03/20/12 | B.PUCHASKI |
|           |   |          |            |



NOTES:  
 PACKAGING:  
 COMPONENT SHALL BE PACKAGED IN ACCORDANCE WITH L-COM SPEC PKG-00089.  $\triangle$   
 - ALL DIMENSIONS FOR REFERENCE -

RoHS Compliant ✓

|  |                               |                  |  |  |
|--|-------------------------------|------------------|--|--|
| UNLESS OTHERWISE SPECIFIED, DIMENSIONS ARE IN INCHES [mm]<br><br>DIMENSIONAL TOLERANCES:<br>X = ±.1<br>.XX = ±.01<br>.XXX = ±.005<br><br>ANGULAR TOLERANCES:<br>ALL = ± 1° | APPROVALS                     | DATE             |  | 45 BEECHWOOD DRIVE<br>NORTH ANDOVER, MA<br>01845 |
|  | DRAWN BY<br>B.PUCHASKI        | 12/06/11         |  |  |
| PROJECTION<br>   | CHECKED BY<br>P.PESA          | 12/06/11         | CATEGORY<br><b>ANTENNA</b>   |  |
|  | APPROVED BY<br>P.PESA         | 12/06/11         | PRODUCT DESCRIPTION<br>4.9 - 5.8GHz 17dBi 90° DUAL POLARITY<br>SECTOR ANTENNA W/N-FEMALE CONNECTOR |  |
|  | COLOR VARIATIONS<br>MAY OCCUR | SIZE<br><b>A</b> | FSCM NO.<br><b>43321</b>   | DWG. NO.<br><b>HG4958-17DP-090</b>               |
|  |                               | SCALE: NONE      | CAD FILE: HG4958-17DP-090.SLDDRW   | SHEET 1 OF 1                                     |

