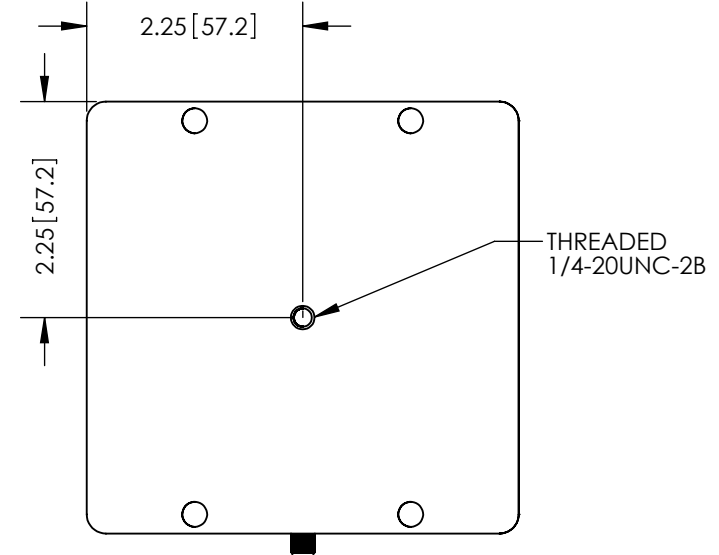
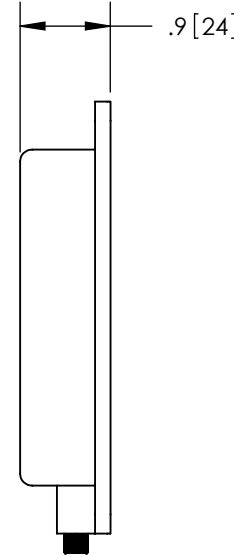
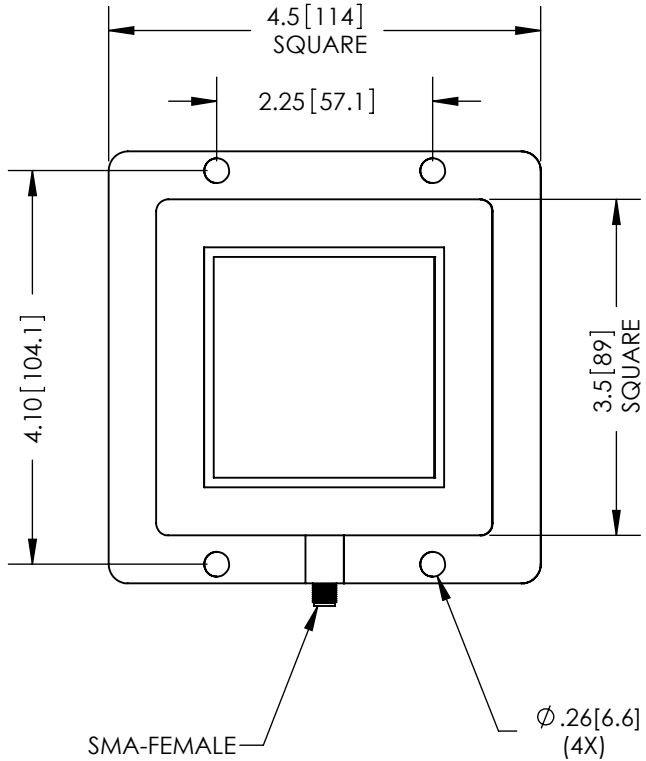


THE INFORMATION CONTAINED IN THIS DRAWING IS THE SOLE PROPERTY OF L-COM, INC. ANY REPRODUCTION IN PART OR WHOLE WITHOUT THE WRITTEN PERMISSION OF L-COM, INC. IS PROHIBITED.

REVISIONS			
REV	DESCRIPTION	DATE	APPROVED
A	INITIAL RELEASE	1/26/12	D.GRIFFIN
-	-	-	-
-	-	-	-



NOTES:
PACKAGING:
COMPONENT SHALL BE PACKAGED IN ACCORDANCE WITH L-COM SPEC PKG-00012

-ALL DIMENSIONS ARE FOR REFERENCE-

RoHS Compliant ✓

UNLESS OTHERWISE SPECIFIED, DIMENSIONS ARE IN INCHES [mm] DIMENSIONAL TOLERANCES: .X = ±.1 .XX = ±.01 .XXX = ±.005 ANGULAR TOLERANCES: ALL = ± 1° PROJECTION 	APPROVALS	DATE		45 BEECHWOOD DRIVE NORTH ANDOVER, MA 01845	
	DRAWN BY B.PUCHASKI	01/24/12			
	CHECKED BY P.PESA	01/24/12	CATEGORY	ANTENNA	
	APPROVED BY P.PESA	01/24/12	PRODUCT DESCRIPTION	4.9GHz - 5.8GHz 7dBi RH POLARIZED FLAT PATCH ANTENNA W/ SMA-FEMALE CONNECTOR	
	COLOR VARIATIONS MAY OCCUR	SIZE A	FSCM NO. 43321	DWG. NO. HG4958-07PCR	REV. A
		SCALE: NONE	CAD FILE: HG4958-07PCR.SLDDRW		SHEET 1 OF 1