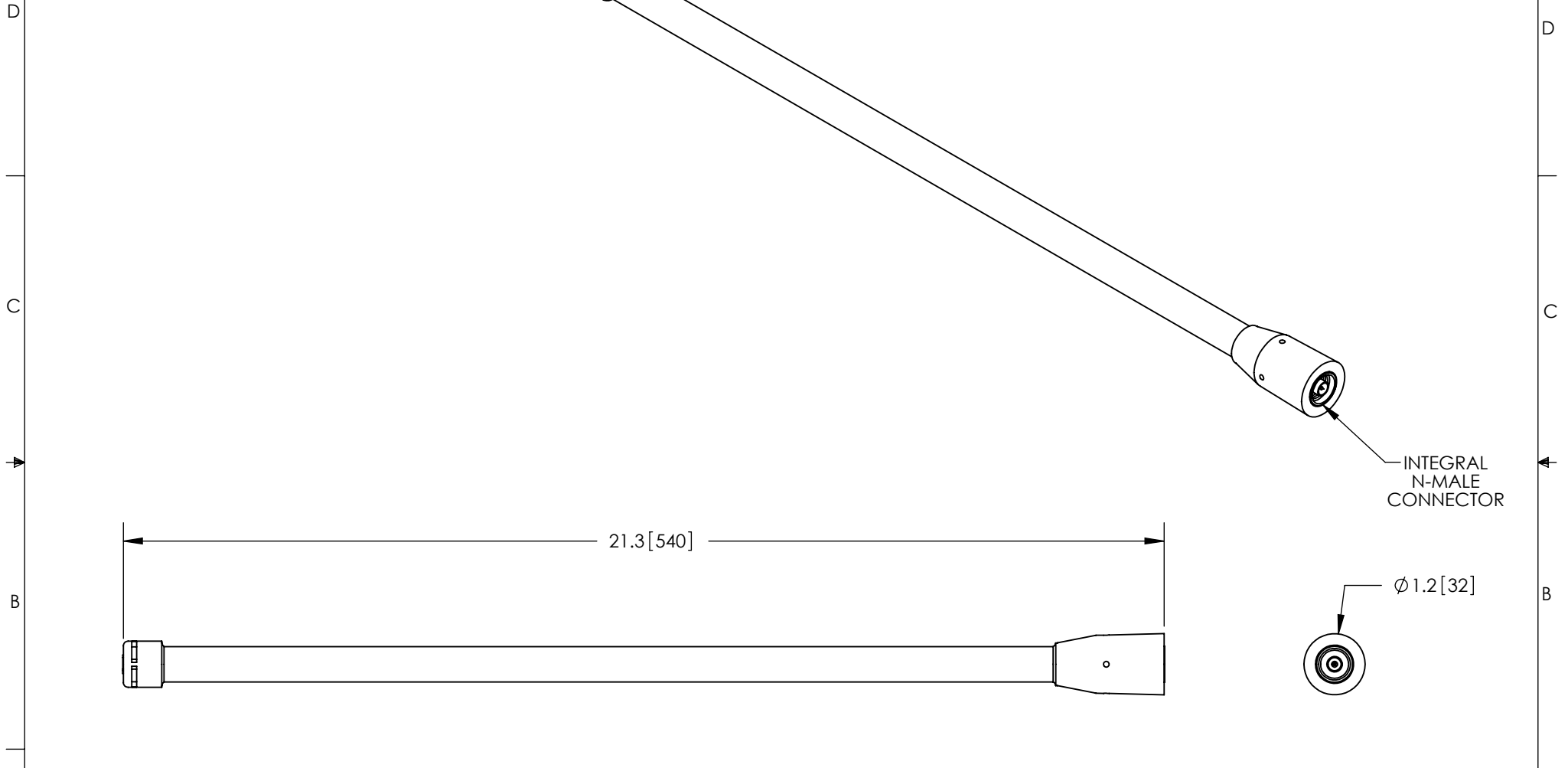


THE INFORMATION CONTAINED IN THIS DRAWING IS THE SOLE PROPERTY OF L-COM, INC., ANY REPRODUCTION IN PART OR WHOLE WITHOUT THE WRITTEN PERMISSION OF L-COM, INC. IS PROHIBITED.

REVISIONS			
REV	DESCRIPTION	DATE	APPROVED
A	INITIAL RELEASE	3/5/12	D.GRIFFIN
-	-	-	-



INTEGRAL N-MALE CONNECTOR

Ø 1.2 [32]

21.3 [540]

RoHS Compliant ✓

NOTES:
 PACKAGING:
 COMPONENT SHALL BE PACKAGED IN ACCORDANCE WITH L-COM SPEC PKG-00012

- ALL DIMENSIONS FOR REFERENCE-

UNLESS OTHERWISE SPECIFIED, DIMENSIONS ARE IN INCHES [mm] DIMENSIONAL TOLERANCES: .X = ±.1 .XX = ±.01 .XXX = ±.005 ANGULAR TOLERANCES: ALL = ± 1°	APPROVALS	DATE		45 BEECHWOOD DRIVE NORTH ANDOVER, MA 01845	
	DRAWN BY B.PUCHASKI	02/23/12			
PROJECTION 	CHECKED BY P.PESA	02/23/12	CATEGORY ANTENNA		
	APPROVED BY P.PESA	02/23/12	PRODUCT DESCRIPTION 2.6GHz 8.5dBi OMNI ANTENNA W/ INTEGRAL N-MALE CONNECTOR		
COLOR VARIATIONS MAY OCCUR		SIZE A	FSCM NO. 43321	DWG. NO. HG2609U	REV. A
		SCALE: NONE		CAD FILE: HG2609U.SLDDRW	SHEET 1 OF 1