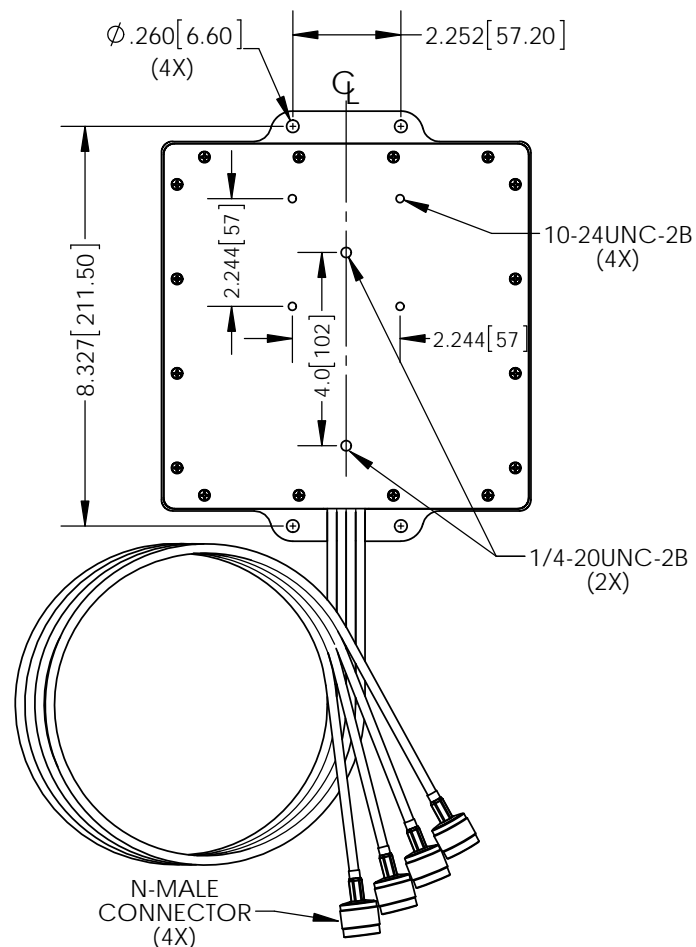
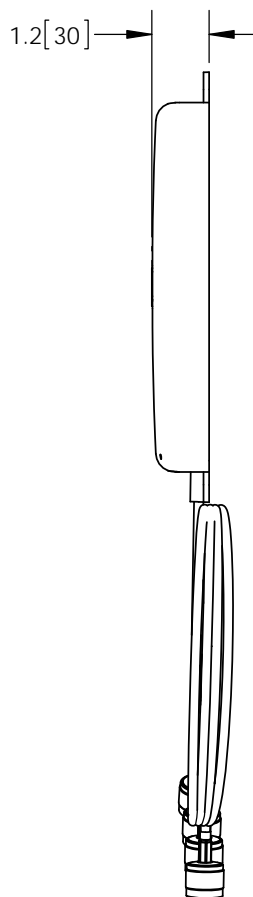
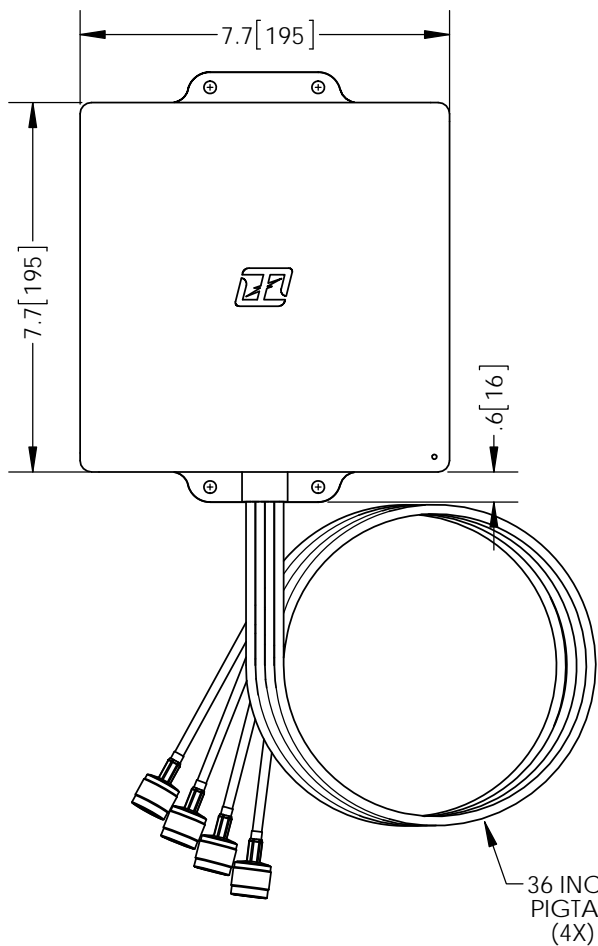


THE INFORMATION CONTAINED IN THIS DRAWING IS THE SOLE PROPERTY OF L-COM, INC. ANY REPRODUCTION IN PART OR WHOLE WITHOUT THE WRITTEN PERMISSION OF L-COM, INC. IS PROHIBITED.

REVISIONS			
REV	DESCRIPTION	DATE	APPROVED
A	INITIAL RELEASE	5/27/16	



NOTE:
1- EACH UNIT TO BE INDIVIDUALLY PACKAGED IN ACCORDANCE WITH L-COM SPEC PKG-00012

-ALL DIMENSIONS ARE FOR REFERENCE ONLY-

REGULATORY COMPLIANCE:
CE2011/65/EU(RoHS DIRECTIVE)

UNLESS OTHERWISE SPECIFIED, DIMENSIONS ARE IN INCHES [mm] DIMENSIONAL TOLERANCES: .X = ±.1 [2.54] .XX = ±.01 [.25] .XXX = ±.005 [.13] ANGULAR TOLERANCES: ALL = ± 1°	APPROVALS B.PUCHASKI	DATE 05/26/16		50 HIGH STREET NORTH ANDOVER, MA 01845	
	CHECKED BY P.PESA	05/26/16		CATEGORY ANTENNA	
	APPROVED BY P.PESA	05/26/16	PRODUCT DESCRIPTION 2.4/5.8GHz 8dBI DUAL POLARITY FLAT PANEL ANTENNA W/(4X) 36 INCH PIGTAILS AND N-FEMALE CONNECTORS		
	PROJECTION 	CONFIGURATION DETAILS OF UNDIMENSIONED FEATURES MAY VARY COLOR VARIATIONS MAY OCCUR	SIZE A	FSCM NO. 43321	DWG. NO. HG245808DP-4NM36
		SCALE: NONE	CAD FILE: HG245808DP-4NM36.SLDDRW	SHEET 1 OF 1	