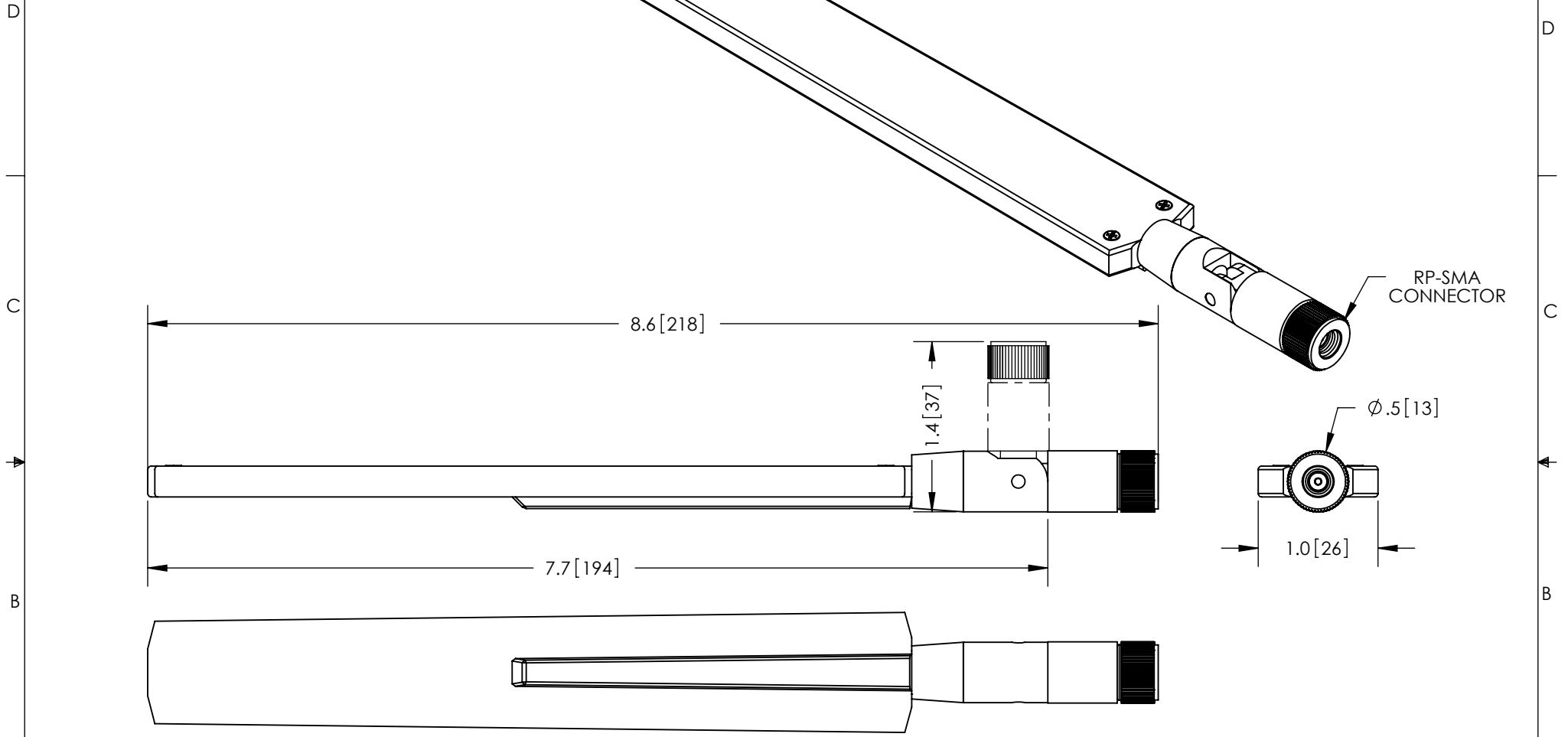


THE INFORMATION CONTAINED IN THIS DRAWING IS THE SOLE PROPERTY OF L-COM, INC. ANY REPRODUCTION IN PART OR WHOLE WITHOUT THE WRITTEN PERMISSION OF L-COM, INC. IS PROHIBITED.


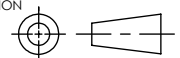
REVISIONS			
REV	DESCRIPTION	DATE	APPROVED
A	INITIAL RELEASE	12/05/11	D.GRIFFIN
-	-	-	-
-	-	-	-



**RoHS Compliant** ✓

**NOTES:**

**PACKAGING:**  
 COMPONENT SHALL BE INDIVIDUALLY PACKAGED IN ACCORDANCE WITH L-COM SPECIFICATION PKG-00031  
 - ALL DIMENSIONS FOR REFERENCE -

UNLESS OTHERWISE SPECIFIED, DIMENSIONS ARE IN INCHES [mm]  DIMENSIONAL TOLERANCES: .X = ±.1 .XX = ±.01 .XXX = ±.005  ANGULAR TOLERANCES: ALL = ± 1°	APPROVALS	DATE	 45 BEECHWOOD DRIVE NORTH ANDOVER, MA 01845
	DRAWN BY B.PUCHASKI CHECKED BY P.PESA APPROVED BY P.PESA	12/05/11 12/05/11 12/05/11	
PROJECTION 	CONFIGURATION DETAILS OF UNDIMENSIONED FEATURES MAY VARY  COLOR VARIATIONS MAY OCCUR	PRODUCT DESCRIPTION 2.4 / 5.8GHz RUBBER DUCK ANTENNA W/RP-SMA PLUG CONNECTOR	SCALE: NONE CAD FILE: HG2458-5RD-RSP.SLDDRW SHEET 1 OF 1
	SIZE <b>A</b>	FSCM NO. <b>43321</b>	DWG. NO. <b>HG2458-5RD-RSP</b>