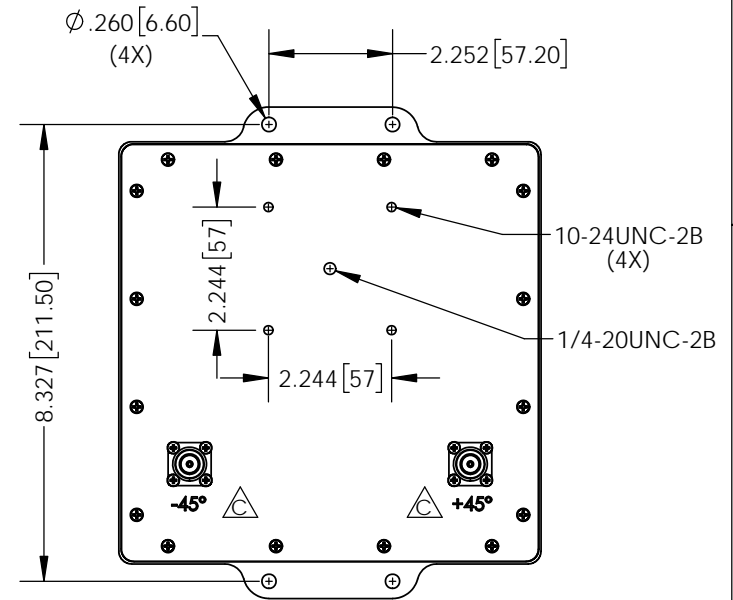
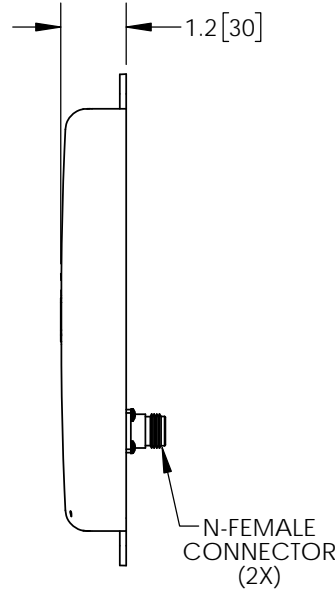
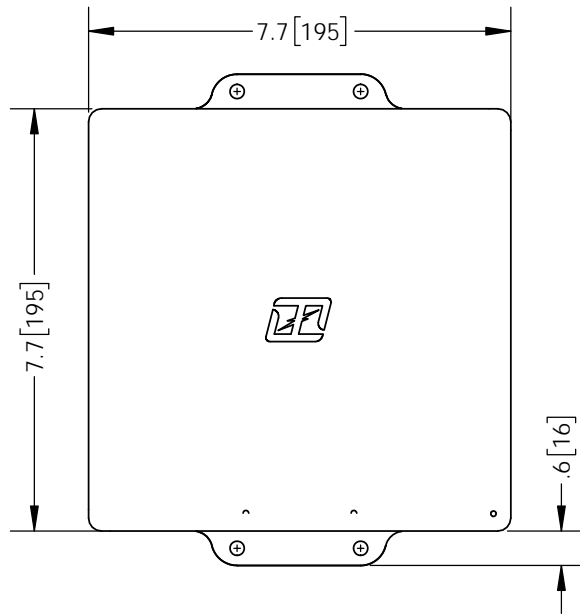
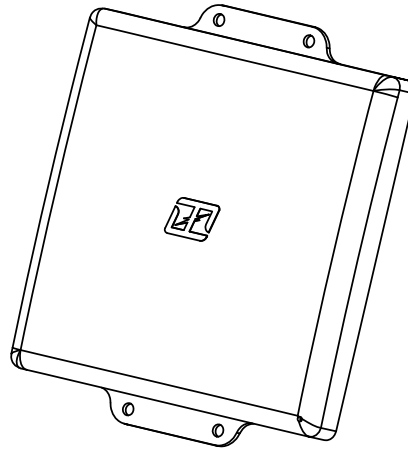


THE INFORMATION CONTAINED IN THIS DRAWING IS THE SOLE PROPERTY OF L-COM, INC. ANY REPRODUCTION IN PART OR WHOLE WITHOUT THE WRITTEN PERMISSION OF L-COM, INC. IS PROHIBITED.

REVISIONS			
REV	DESCRIPTION	DATE	APPROVED
A	INITIAL RELEASE	3/28/14	
B	ECN7384 EDIT/ADD BACKPLATE CONNECTOR TEXT PER REV. VENDOR SAMPLE	04/17/14	B.PUCHASKI
C	ECN 9089 UPDATE PER VENDOR SPECS	02/17/18	B.PUCHASKI



NOTE:
1- EACH UNIT TO BE INDIVIDUALLY PACKAGED IN ACCORDANCE WITH L-COM SPEC PKG-00012

-ALL DIMENSIONS ARE FOR REFERENCE ONLY-

REGULATORY COMPLIANCE:
CE2011/65/EU(RoHS DIRECTIVE)

UNLESS OTHERWISE SPECIFIED, DIMENSIONS ARE IN INCHES [mm] DIMENSIONAL TOLERANCES: .X = ±.1 [2.54] .XX = ±.01 [.25] .XXX = ±.005 [.13] ANGULAR TOLERANCES: ALL = ± 1°	APPROVALS	DATE		45 BEECHWOOD DRIVE NORTH ANDOVER, MA 01845
	DRAWN BY B.PUCHASKI	03/27/14		
PROJECTION 	CHECKED BY P.PESA	03/27/14	CATEGORY ANTENNA	
	APPROVED BY P.PESA	03/27/14	PRODUCT DESCRIPTION 2.4/5.8GHz 8/11dbi CROSS POLARITY FLAT PANEL ANTENNA W/ N-FEMALE CONNECTORS	
COLOR VARIATIONS MAY OCCUR	SIZE A	FSCM NO. 43321	DWG. NO. HG2458-11XP	REV. C
SCALE: NONE		CAD FILE: HG2458-11XP.SLDDRW		SHEET 1 OF 1