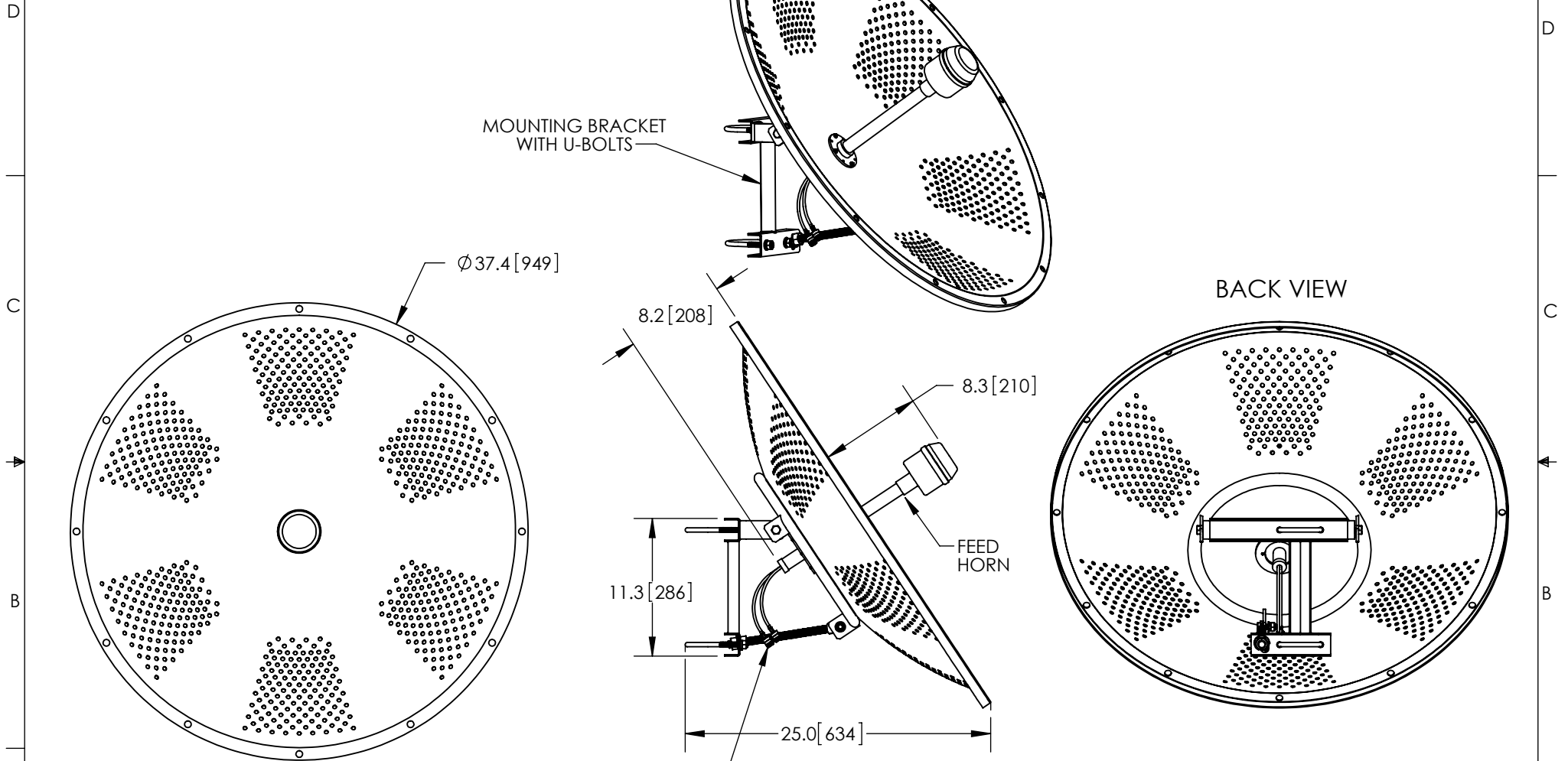


THE INFORMATION CONTAINED IN THIS DRAWING IS THE SOLE PROPERTY OF L-COM, INC. ANY REPRODUCTION IN PART OR WHOLE WITHOUT THE WRITTEN PERMISSION OF L-COM, INC. IS PROHIBITED.

REVISIONS			
REV	DESCRIPTION	DATE	APPROVED
A	INITIAL RELEASE	01/16/13	D.GRIFFIN



BACK VIEW

RoHS Compliant ✓

NOTES:
 PACKAGING:
 COMPONENT SHALL BE PACKAGED IN ACCORDANCE
 WITH L-COM SPEC PKG-00083
 - ALL DIMENSIONS FOR REFERENCE ONLY -

UNLESS OTHERWISE SPECIFIED, DIMENSIONS ARE IN INCHES [mm] DIMENSIONAL TOLERANCES: .X = ±.1 .XX = ±.01 .XXX = ±.005 ANGULAR TOLERANCES: ALL = ± 1°	APPROVALS	DATE		45 BEECHWOOD DRIVE NORTH ANDOVER, MA 01845		
	DRAWN BY B.PUCHASKI CHECKED BY K.BURGNER APPROVED BY P.PESA	01/16/13 01/16/13 01/16/13			CATEGORY ANTENNA	
PROJECTION 	CONFIGURATION DETAILS OF UNDIMENSIONED FEATURES MAY VARY COLOR VARIATIONS MAY OCCUR	PRODUCT DESCRIPTION 2.4GHz 25dbi DUAL POLARIZED PARABOLIC DISH ANTENNA W/ (2) N-FEMALE CONNECTORS	SIZE A	FSCM NO. 43321	DWG. NO. HG2425DPD	REV. A
SCALE: NONE			CAD FILE: HG2425DPD.SLDDRW		SHEET 1 OF 1	