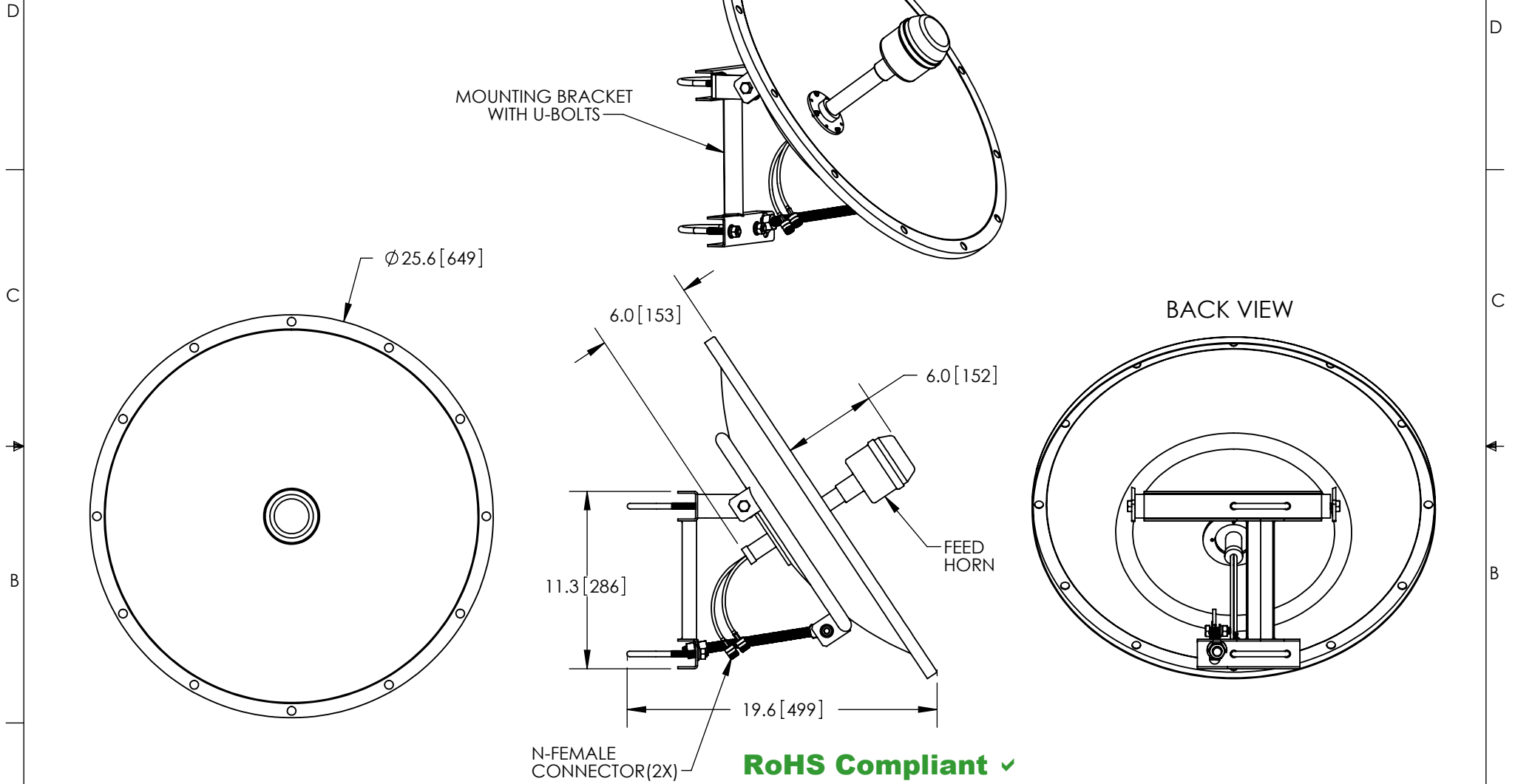


THE INFORMATION CONTAINED IN THIS DRAWING IS THE SOLE PROPERTY OF L-COM, INC. ANY REPRODUCTION IN PART OR WHOLE WITHOUT THE WRITTEN PERMISSION OF L-COM, INC. IS PROHIBITED.

REVISIONS			
REV	DESCRIPTION	DATE	APPROVED
A	INITIAL RELEASE	1/16/13	D.GRIFFIN



**RoHS Compliant** ✓

NOTES:  
 PACKAGING:  
 COMPONENT SHALL BE PACKAGED IN ACCORDANCE WITH L-COM SPEC PKG-00083  
 - ALL DIMENSIONS FOR REFERENCE ONLY -

UNLESS OTHERWISE SPECIFIED, DIMENSIONS ARE IN INCHES [mm]  DIMENSIONAL TOLERANCES: .X = ±.1 .XX = ±.01 .XXX = ±.005  ANGULAR TOLERANCES: ALL = ± 1°  PROJECTION 	APPROVALS	DATE		45 BEECHWOOD DRIVE NORTH ANDOVER, MA 01845	
	DRAWN BY B.PUCHASKI	01/15/13			
	CHECKED BY K.BURGNER	01/15/13	CATEGORY	ANTENNA	
	APPROVED BY P.PESA	01/15/13	PRODUCT DESCRIPTION	2.4GHz 22dBi DUAL POLARIZED PARABOLIC DISH ANTENNA W/ (2) N-FEMALE CONNECTORS	
	CONFIGURATION DETAILS OF UNDIMENSIONED FEATURES MAY VARY	SIZE <b>A</b>	FSCM NO. <b>43321</b>	DWG. NO. HG2422DPD	REV. <b>A</b>
	COLOR VARIATIONS MAY OCCUR	SCALE: NONE		CAD FILE: HG2422DPD.SLDDRW	SHEET 1 OF 1