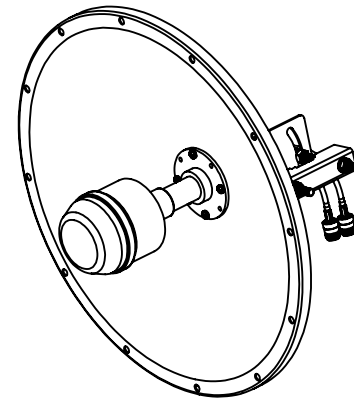
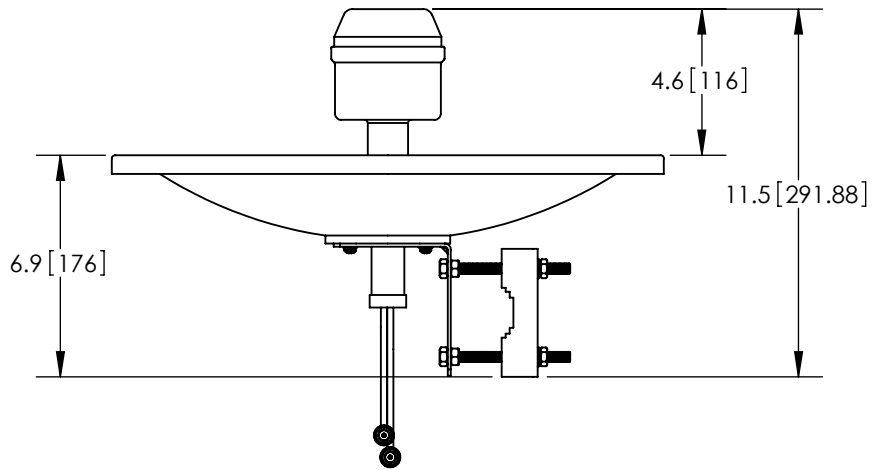
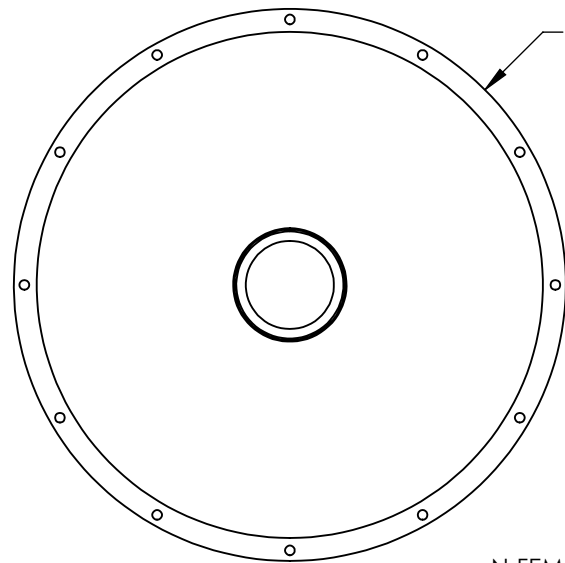


THE INFORMATION CONTAINED IN THIS DRAWING IS THE SOLE PROPERTY OF L-COM, INC. ANY REPRODUCTION IN PART OR WHOLE WITHOUT THE WRITTEN PERMISSION OF L-COM, INC. IS PROHIBITED.

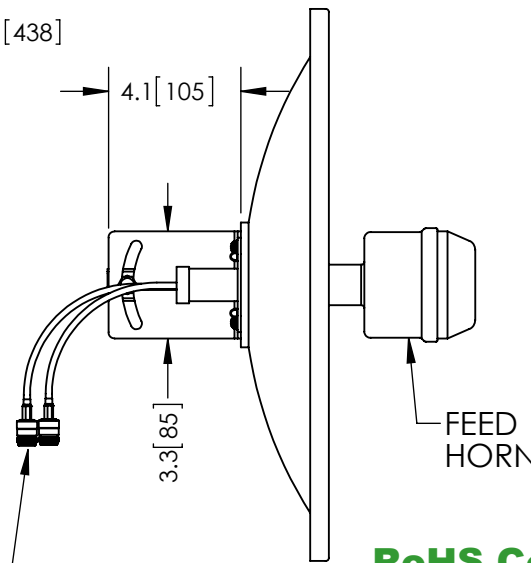
REVISIONS			
REV	DESCRIPTION	DATE	APPROVED
A	INITIAL RELEASE	1/16/13	D.GRIFFIN



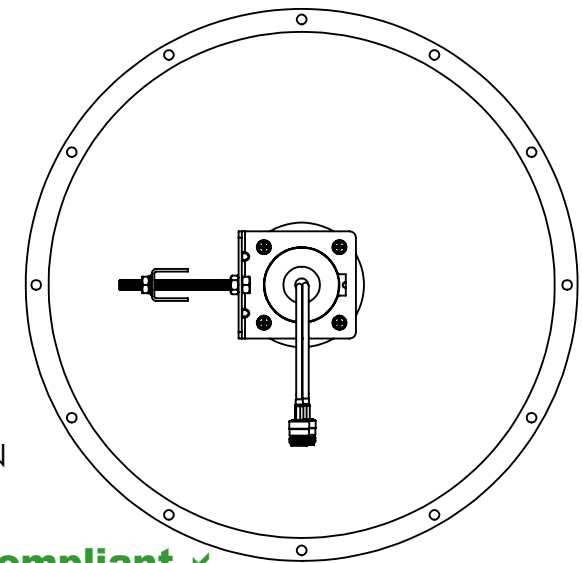
BACK VIEW



Ø 17.3 [438]



FEED HORN



N-FEMALE CONNECTOR (2x)

RoHS Compliant ✓

NOTES:
 PACKAGING:
 COMPONENT SHALL BE PACKAGED IN ACCORDANCE WITH L-COM SPEC PKG-00090

- ALL DIMENSIONS FOR REFERENCE ONLY -

UNLESS OTHERWISE SPECIFIED, DIMENSIONS ARE IN INCHES [mm] DIMENSIONAL TOLERANCES: .X = ±.1 .XX = ±.01 .XXX = ±.005 ANGULAR TOLERANCES: ALL = ± 1°	APPROVALS	DATE		45 BEECHWOOD DRIVE NORTH ANDOVER, MA 01845
	DRAWN BY B.PUCHASKI	01/15/13		
	PROJECTION	CHECKED BY K.BURGNER	01/15/13	CATEGORY
	APPROVED BY P.PESA	01/15/13	PRODUCT DESCRIPTION 2.4GHz 18dBi DUAL POLARITY DISH ANTENNA W/ (2) N-FEMALE CONNECTORS	
			SCALE: NONE	CAD FILE: HG2418DPD.SLDDRW
			SIZE A	FSCM NO. 43321
			DWG. NO. HG2418DPD	REV. A
			SHEET 1 OF 1	