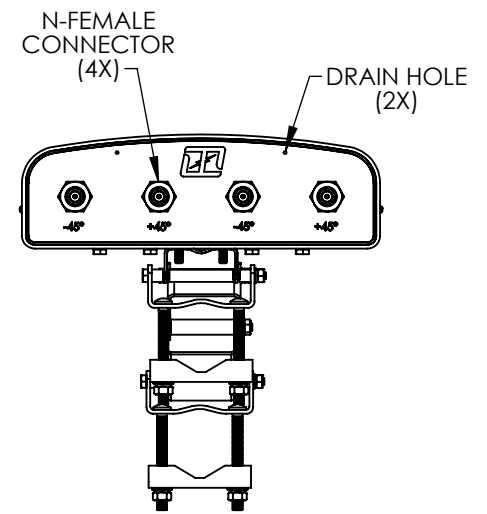
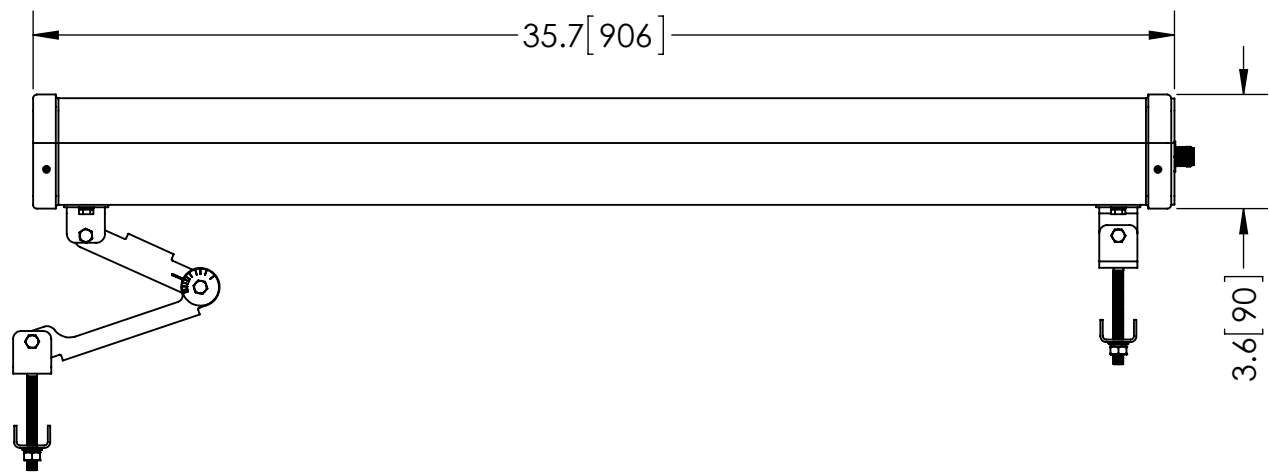
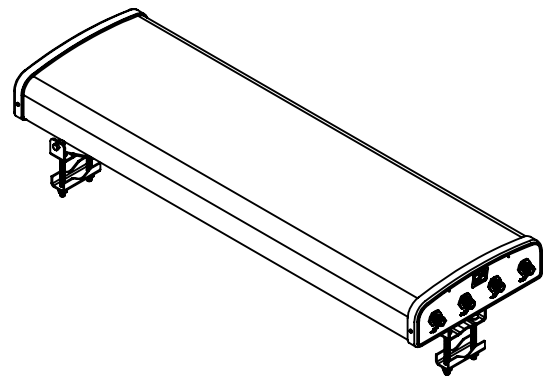
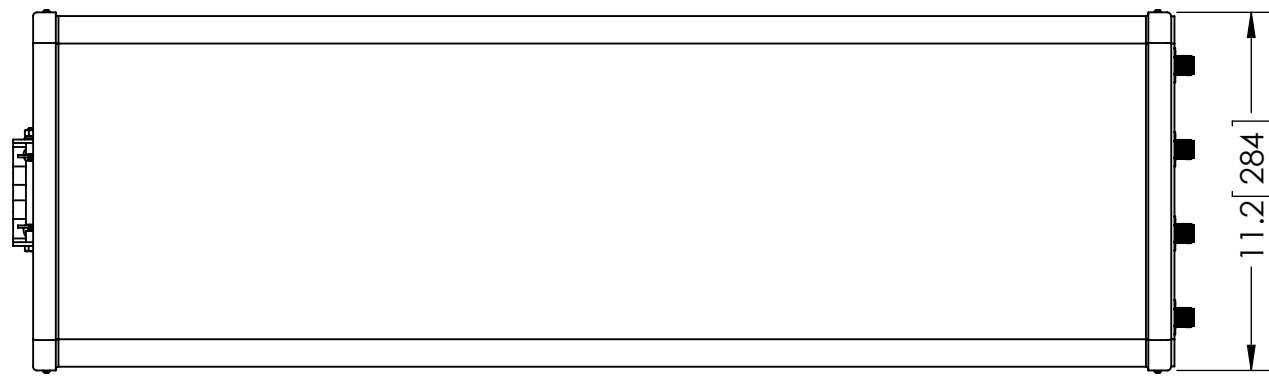


THE INFORMATION CONTAINED IN THIS DRAWING IS THE SOLE PROPERTY OF L-COM, INC. ANY REPRODUCTION IN PART OR WHOLE WITHOUT THE WRITTEN PERMISSION OF L-COM, INC. IS PROHIBITED.

REVISIONS			
REV	DESCRIPTION	DATE	APPROVED
A	INITIAL RELEASE	8/28/13	D.GRIFFIN
-	-	-	-
-	-	-	-



**NOTES:**  
 PACKAGING:  
 COMPONENT SHALL BE PACKAGED IN ACCORDANCE WITH L-COM SPEC PKG-00102.

- ALL DIMENSIONS FOR REFERENCE ONLY -

**REGULATORY COMPLIANCE:**  
 RoHS, CE

UNLESS OTHERWISE SPECIFIED, DIMENSIONS ARE IN INCHES [mm]  DIMENSIONAL TOLERANCES: .X = ±.1 .XX = ±.01 .XXX = ±.005  ANGULAR TOLERANCES: ALL = ± 1°  PROJECTION	APPROVALS DRAWN BY B.PUCHASKI CHECKED BY P.PESA APPROVED BY P.PESA	DATE 08/27/13 08/27/13 08/27/13	45 BEECHWOOD DRIVE NORTH ANDOVER, MA 01845	
	CONFIGURATION DETAILS OF UNDIMENSIONED FEATURES MAY VARY		CATEGORY ANTENNA	
	COLOR VARIATIONS MAY OCCUR		PRODUCT DESCRIPTION 2.4GHz 16dBi 90° X-POL SPATIAL DIVERSITY SECTOR ANTENNA W/N-FEMALE CONNECTORS	REV. A
	SCALE: NONE		FSCM NO. <b>A 43321</b> DWG. NO. HG2416SXP-090	CAD FILE: HG2416SXP-090.SLDDRW SHEET 1 OF 1