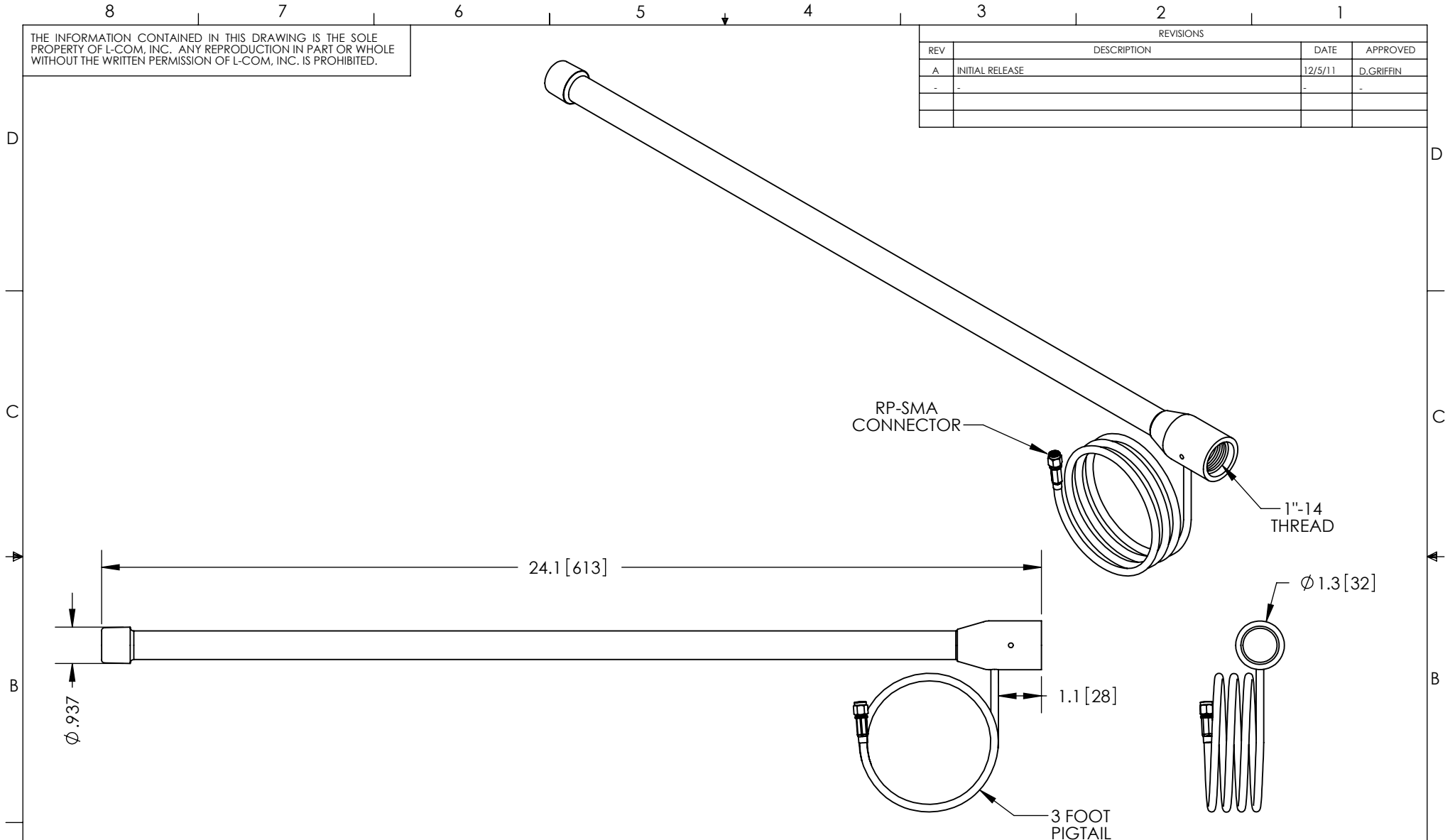


THE INFORMATION CONTAINED IN THIS DRAWING IS THE SOLE PROPERTY OF L-COM, INC. ANY REPRODUCTION IN PART OR WHOLE WITHOUT THE WRITTEN PERMISSION OF L-COM, INC. IS PROHIBITED.

REVISIONS			
REV	DESCRIPTION	DATE	APPROVED
A	INITIAL RELEASE	12/5/11	D.GRIFFIN
-	-	-	-
-	-	-	-



RoHS Compliant ✓

NOTES:

PACKAGING:
 COMPONENT SHALL BE INDIVIDUALLY PACKAGED IN ACCORDANCE WITH L-COM SPECIFICATION PKG-00031

- ALL DIMENSIONS FOR REFERENCE -

UNLESS OTHERWISE SPECIFIED, DIMENSIONS ARE IN INCHES [mm] DIMENSIONAL TOLERANCES: .X = ±.1 .XX = ±.01 .XXX = ±.005 ANGULAR TOLERANCES: ALL = ± 1° PROJECTION	APPROVALS B.PUCHASKI	DATE 12/02/11		45 BEECHWOOD DRIVE NORTH ANDOVER, MA 01845	
	CHECKED BY P.PESA	DATE 12/02/11		CATEGORY ANTENNA	
	APPROVED BY P.PESA	DATE 12/02/11	PRODUCT DESCRIPTION 2.4GHz 8.5dBi OMNI MARINE ANTENNA W/3 FOOTPIGTAIL AND RP-SMA PLUG CONNECTOR		
	COLOR VARIATIONS MAY OCCUR	SIZE A	FSCM NO. 43321	DWG. NO. HG2409UM-RSP	REV. A
		SCALE: NONE	CAD FILE: HG2409UM-RSP.SLDDRW		
			SHEET 1 OF 1		