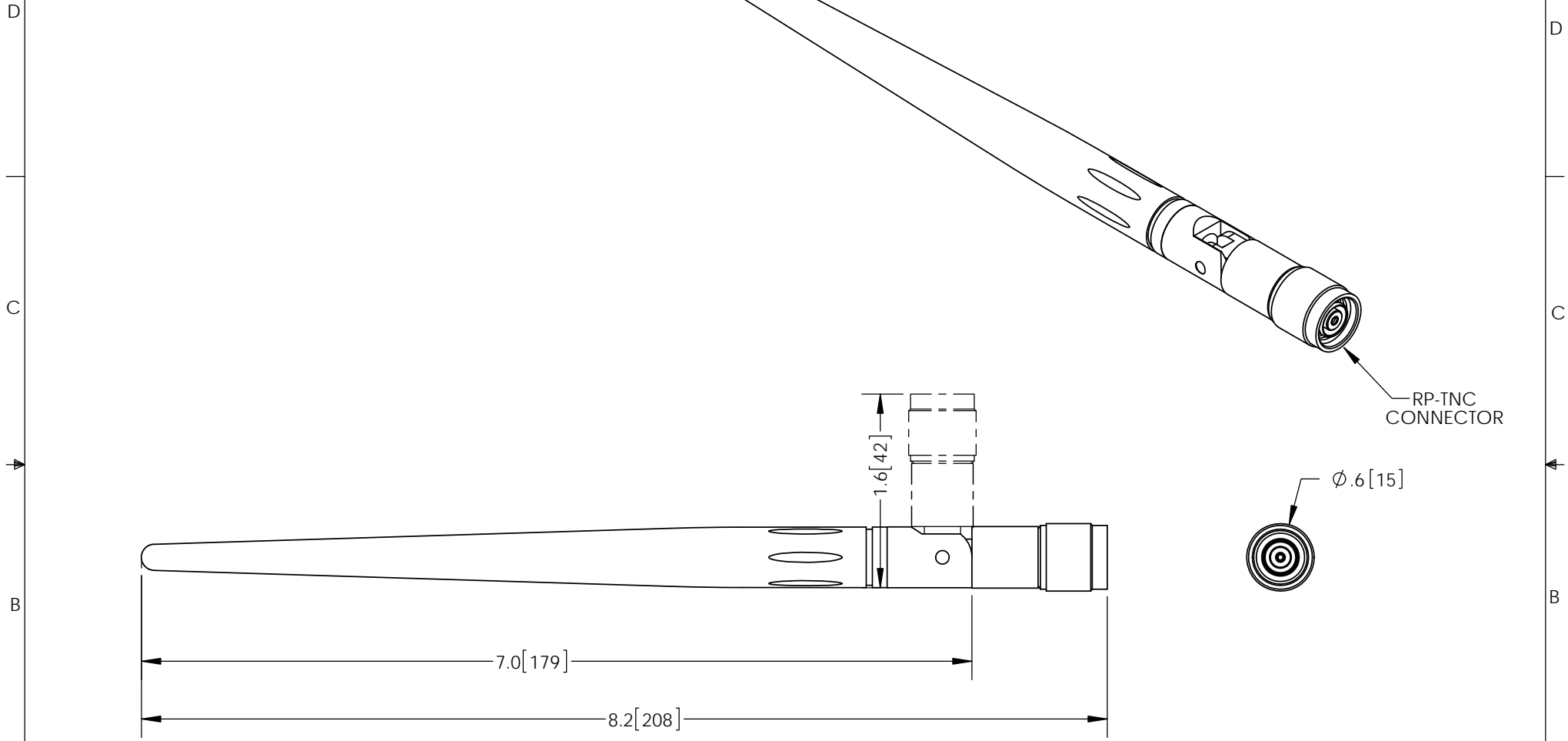


THE INFORMATION CONTAINED IN THIS DRAWING IS THE SOLE PROPERTY OF L-COM, INC. ANY REPRODUCTION IN PART OR WHOLE WITHOUT THE WRITTEN PERMISSION OF L-COM, INC. IS PROHIBITED.

| REVISIONS | | | |
|-----------|--------------------------------|----------|------------|
| REV | DESCRIPTION | DATE | APPROVED |
| A | INITIAL RELEASE | 12/05/11 | D.GRIFFIN |
| B | ECN 8615 UPDATE PER NEW DESIGN | 01/26/17 | B.PUCHASKI |
| | | | |
| | | | |



NOTES:

PACKAGING:
COMPONENT SHALL BE INDIVIDUALLY PACKAGED IN ACCORDANCE WITH L-COM SPECIFICATION PKG-00031

- ALL DIMENSIONS FOR REFERENCE -

REGULATORY COMPLIANCE:
CE2011/65/EU(RoHS DIRECTIVE)

| | | | | | |
|---|--|------------------|--|-------------------------------|--|
| UNLESS OTHERWISE SPECIFIED, DIMENSIONS ARE IN INCHES [mm] DIMENSIONAL TOLERANCES: .X = ±.1 [2.54] .XX = ±.01 [.25] .XXX = ±.005 [.13] ANGULAR TOLERANCES: ALL = ± 1° | APPROVALS B.PUCHASKI | DATE 12/01/11 | | | 50 HIGH STREET NORTH ANDOVER, MA 01845 |
| | CHECKED BY P.PESA | 12/01/11 | CATEGORY ANTENNA | | |
| | APPROVED BY P.PESA | 12/01/11 | PRODUCT DESCRIPTION 2.4GHz 5dBi RUBBER DUCK ANTENNA W/ RP-TNC PLUG CONNECTOR | | |
| | CONFIGURATION DETAILS OF UNDIMENSIONED FEATURES MAY VARY | | SIZE A | FSCM NO. 43321 | DWG. NO. HG2405RD-RTP |
| PROJECTION | COLOR VARIATIONS MAY OCCUR | | SCALE: NONE | CAD FILE: HG2405RD-RTP.SLDDRW | SHEET 1 OF 1 |