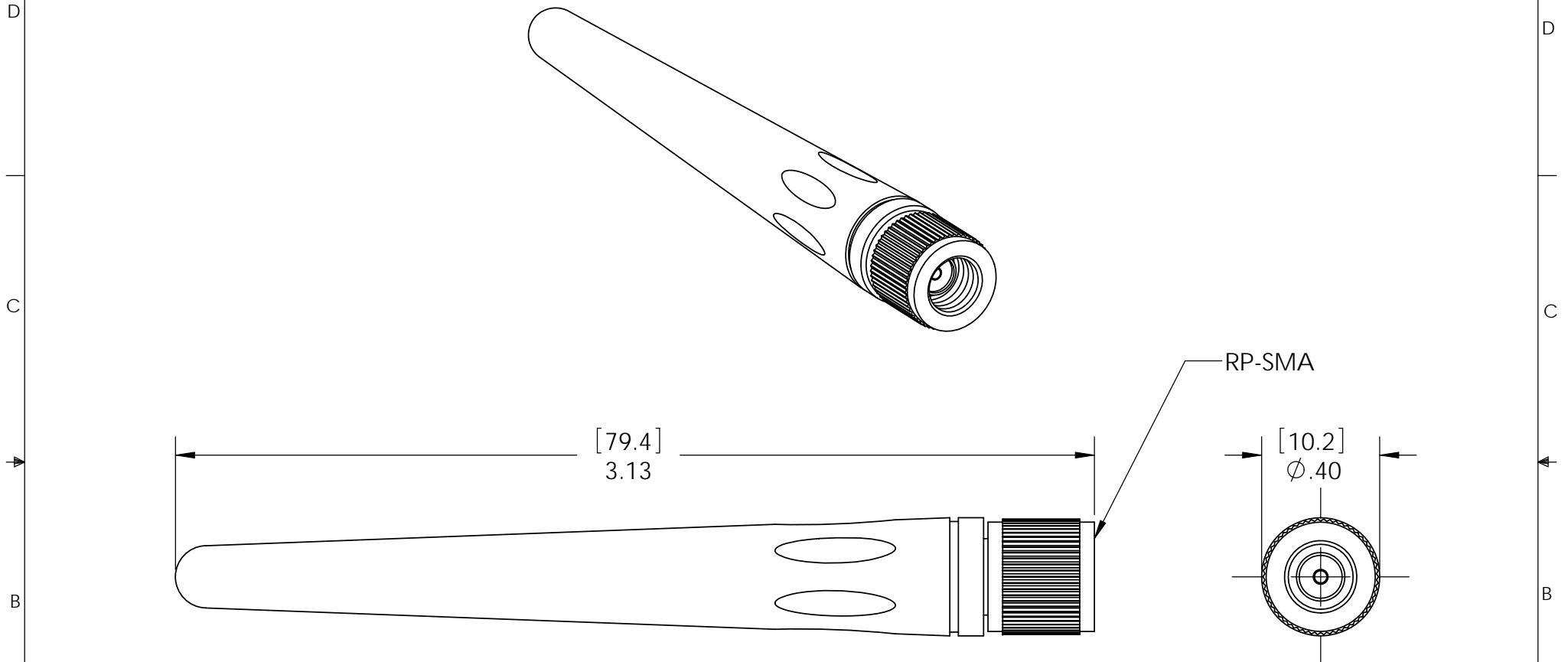


THE INFORMATION CONTAINED IN THIS DRAWING IS THE SOLE PROPERTY OF L-COM, INC. ANY REPRODUCTION IN PART OR WHOLE WITHOUT THE WRITTEN PERMISSION OF L-COM, INC. IS PROHIBITED.

REVISIONS			
REV	DESCRIPTION	DATE	APPROVED
A	Initial Release	09/29/10	B.Puchaski
-	-	-	-
-	-	-	-



NOTES:
 ELECTRICAL:
 FREQUENCY RANGE: 2.4 GHz (2.4~2.5GHz)
 ELECTRIC WAVE: 1/4, MONOPOLE ANTENNA
 V.S.W.R. : <2
 IMPEDENCE: 50 Ohm, NOMINAL
 GAIN: 2dBi

PACKAGING:
 COMPONENT SHALL BE INDIVIDUALLY PACKAGED IN ACCORDANCE WITH L-COM SPECIFICATION PKG-00012
 BAG LABEL AS PER L-COM SPECIFICATION LSP-010

UNLESS OTHERWISE SPECIFIED, DIMENSIONS ARE IN INCHES [mm] DIMENSIONAL TOLERANCES: .X = ±.1 .XX = ±.01 .XXX = ±.005 ANGULAR TOLERANCES: ALL = ± 1°	APPROVALS	DATE		45 BEECHWOOD DRIVE NORTH ANDOVER, MA 01845	
	DRAWN BY B.Puchaski	09/28/10			
	CHECKED BY K. Blomgren	09/28/10	CATEGORY	ANTENNA	
	APPROVED BY K. Blomgren	09/28/10	PRODUCT DESCRIPTION	Antenna, Stubby STR, RP SMA Plug	
PROJECTION 	COLOR VARIATIONS MAY OCCUR	SIZE A	FSCM NO. 43321	DWG. NO. HG2402RDR-RSP	REV. A
		SCALE: NONE	CAD FILE: HG2402RDR-RSP.SLDDRW	SHEET 1 OF 1	