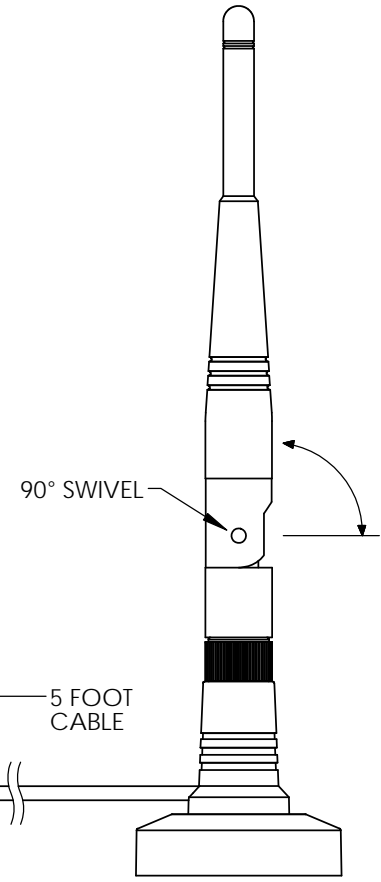
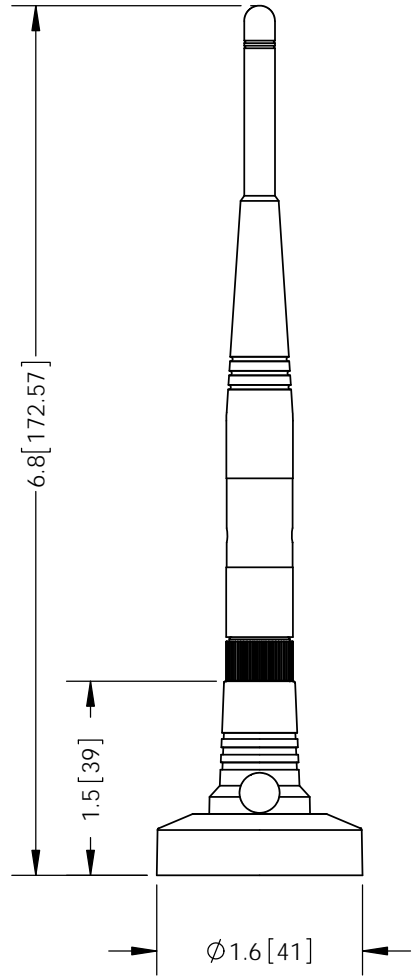


THE INFORMATION CONTAINED IN THIS DRAWING IS THE SOLE PROPERTY OF L-COM, INC. ANY REPRODUCTION IN PART OR WHOLE WITHOUT THE WRITTEN PERMISSION OF L-COM, INC. IS PROHIBITED.

REVISIONS			
REV	DESCRIPTION	DATE	APPROVED
A	INITIAL RELEASE	10/13/16	D. DESJARDIN

MODEL# HG1903MGRD-	
APM	ALPROX MALE
MC	MC CARD MALE
MCX	MCX MALE
MM	MMCX MALE
MMR	MMCX R/A
NM	N-MALE
RSP	RP SMA PLUG
RTJ	RP TNC JACK
RTP	RP TNC PLUG
SEP	SE PLUG
SM	SMA MALE
SMR	SMA MALE R/A
SBP	SBP PLUG
SBJ	SBJ JACK
SNP	SMA NANO PLUG
NF	N-FEMALE
RBP	RP BNC PLUG
RSJ	RP SMA JACK
TM	TNC MALE
BM	BNC MALE



SEE CHART FOR CONNECTOR TYPE

NOTES:
 PACKAGING:
 COMPONENT SHALL BE PACKAGED IN ACCORDANCE WITH L-COM SPEC PKG-00012.
 -ALL DIMENSIONS FOR REFERENCE-
REGULATORY COMPLIANCE:
 CE2011/65/EU(RoHS DIRECTIVE)

UNLESS OTHERWISE SPECIFIED, DIMENSIONS ARE IN INCHES [mm] DIMENSIONAL TOLERANCES: .X = ±.1 [2.54] .XX = ±.01 [.25] .XXX = ±.005 [.13] ANGULAR TOLERANCES: ALL = ± 1°	APPROVALS DRAWN BY B.PUCHASKI	DATE 10/12/16	 50 HIGH STREET NORTH ANDOVER, MA 01845 CATEGORY ANTENNA
	CHECKED BY K.BURGNER	10/12/16	
APPROVED BY P.PESA	10/12/16	PRODUCT DESCRIPTION 1.9GHz 3dBi RUBBER DUCK ANTENNA MAGNETIC MOUNT W/ 5 FOOT CABLE AND CONNECTOR	
PROJECTION 	COLOR VARIATIONS MAY OCCUR	SIZE A	FSCM NO. 43321
		DWG. NO. HG1903MGRD	REV. A
		SCALE: NONE	CAD FILE: HG1903MGRD.SLDDRW
		SHEET 1 OF 1	