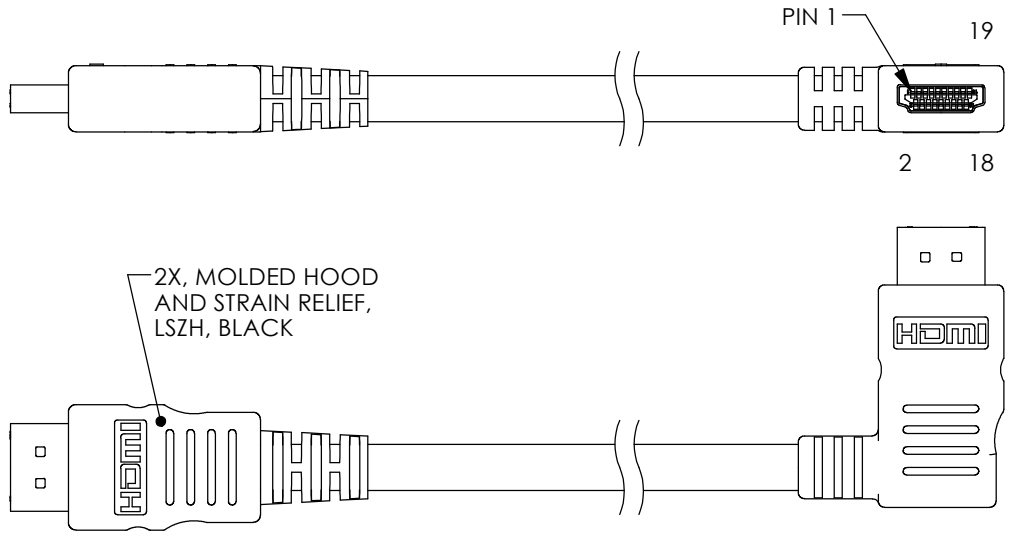
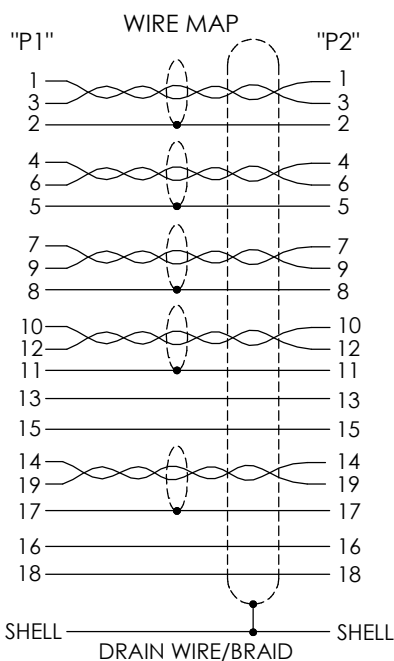
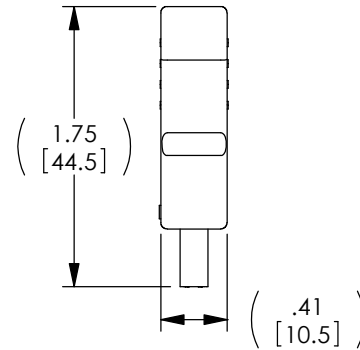
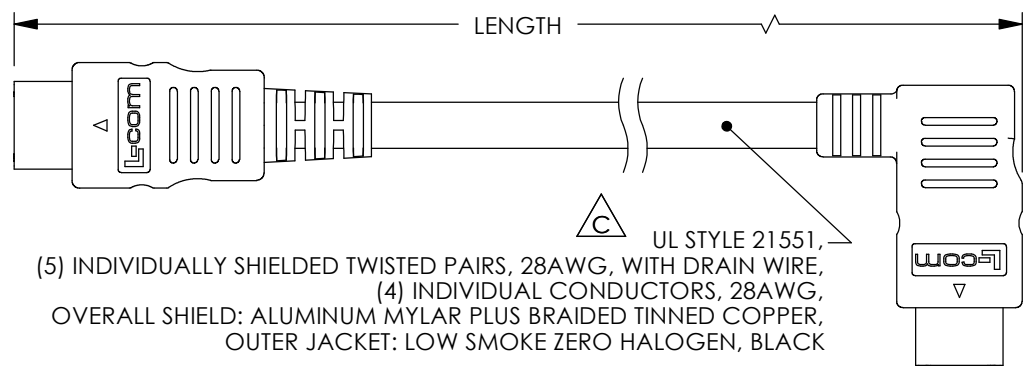
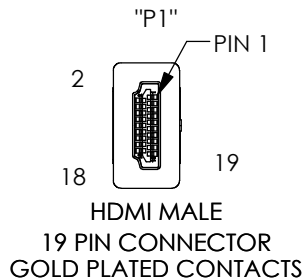


THE INFORMATION CONTAINED IN THIS DRAWING IS THE SOLE PROPERTY OF L-COM, INC. ANY REPRODUCTION IN PART OR WHOLE WITHOUT THE WRITTEN PERMISSION OF L-COM, INC. IS PROHIBITED.

REVISIONS			
REV	DESCRIPTION	DATE	APPROVED
A	INITIAL RELEASE	9/22/11	D.GRIFFIN
B	ECN 9020: REVISED NOTES TO REMOVE HDMI LABEL, NEW DWG FORMAT	12/22/2017	B.ZHANG
C	ECN 10853: REVISE UL STYLE TO 21551, ADD LSZH CBL CHARACTERISTICS TO DWG, NEW FORMAT	12/22/2020	MBLACKWOOD



MODEL NO.	LENGTH METERS [FEET]
HDRAZ-0.5	0.5 [1.64]
HDRAZ-1	1.0 [3.28]
HDRAZ-2	2.0 [6.56]
HDRAZ-3	3.0 [9.84]
HDRAZ-4	4.0 [13.12]
HDRAZ-5	5.0 [16.41]

**LSZH CABLE CHARACTERISTICS:**  
 FLAME RATING: IEC 60332-1  
 CORROSIVE GAS: IEC 60754  
 SMOKE EMISSION: IEC 61034

**NOTES:**

- CABLE ASSEMBLY SHALL BE TESTED FOR CONTINUITY.
- CABLE ASSEMBLY SHALL BE INDIVIDUALLY PACKAGED IN ACCORDANCE WITH L-COM SPECIFICATION PS-0031.
- DUST COVERS INSTALLED FOR SHIPPING (NOT SHOWN).

UNLESS OTHERWISE SPECIFIED, DIMENSIONS ARE IN INCHES [mm] OVERALL CABLE LENGTH TOLERANCE: ≤12 [305] ≤+1 [25] / -0 >12 [305] ≤60 [1524] = +2 [51] / -0 >60 [1524] ≤120 [3048] = +4 [102] / -0 >120 [3048] ≤300 [7620] = +6 [152] / -0 >300 [7620] = +5% / -0 ALL OTHER DIMENSIONAL TOLERANCES: .X = ± .2 [5]      FRACTIONS ± 1/32 .XX = ± .02 [5]      ± 1/32 .XXX = ± .005 [13]      ANGLES ± 1°	APPROVALS	DATE	 an INFINITI® brand 50 High Street, West Mill, North Andover, MA 01845 USA. Phone: 1.800.341.5266 1.978.682.6936	
	DRAWN BY D. CASTRO	9/21/11		
THIRD-ANGLE PROJECTION	CHECKED BY D. PARHAM	9/21/11	CATEGORY <b>AUDIO/VIDEO</b>	
	APPROVED BY P. MCNEIL	9/21/11		
	CONFIGURATION DETAILS OF UNDIMENSIONED FEATURES MAY VARY	PRODUCT DESCRIPTION <b>CA HDMI-M/RA-M LSZH</b>		
	COLOR VARIATIONS MAY OCCUR	SIZE <b>A</b>	CAGE CODE <b>43321</b>	DWG. NO. <b>HDRAZ</b>
		SCALE: NONE	CAD FILE: HDRAZ.SLDDRW	REV. <b>C</b>
			SHEET 1 OF 1	