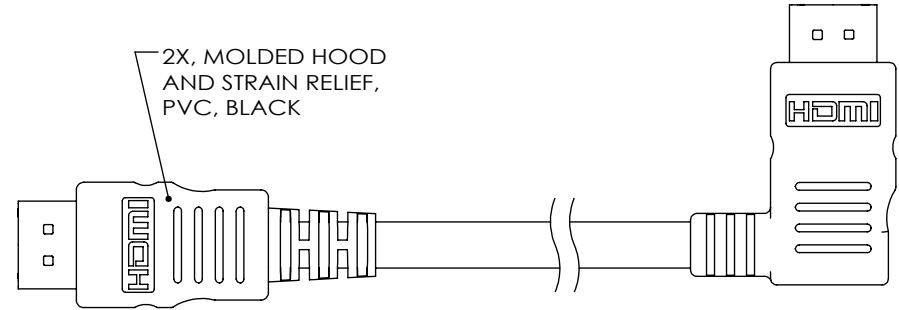
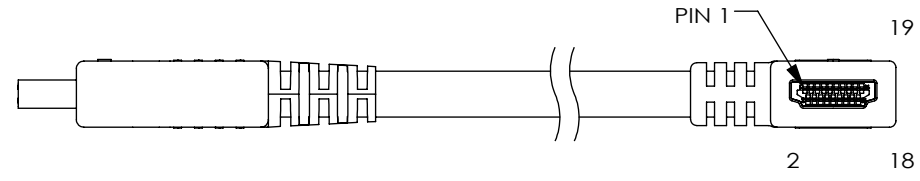
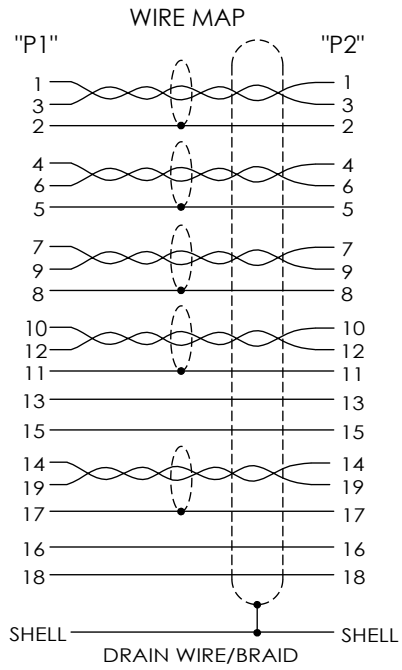
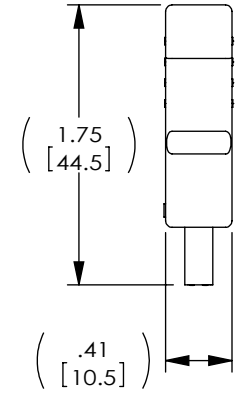
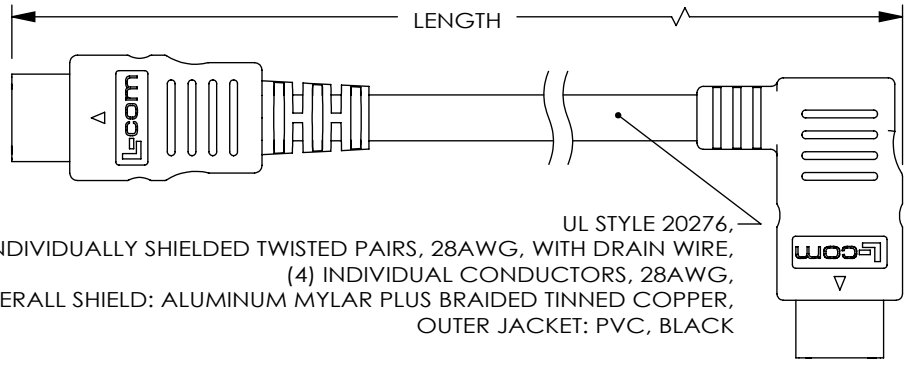
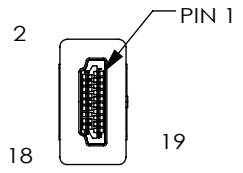


THE INFORMATION CONTAINED IN THIS DRAWING IS THE SOLE PROPERTY OF L-COM, INC. ANY REPRODUCTION IN PART OR WHOLE WITHOUT THE WRITTEN PERMISSION OF L-COM, INC. IS PROHIBITED.

REVISIONS			
REV	DESCRIPTION	DATE	APPROVED
A	INITIAL RELEASE	9/23/11	D.GRIFFIN
B	ECN 9020; REVISED NOTES TO REMOVE HDMI LABEL, NEW DWG FORMAT	12/22/2017	B.ZHANG



MODEL NO.	LENGTH METERS [FEET]
HDRA-0.5	0.5 [1.64]
HDRA-1	1.0 [3.28]
HDRA-2	2.0 [6.56]
HDRA-3	3.0 [9.84]
HDRA-4	4.0 [13.12]
HDRA-5	5.0 [16.41]

**NOTES:**

- CABLE ASSEMBLY SHALL BE TESTED FOR CONTINUITY.
- CABLE ASSEMBLY SHALL BE INDIVIDUALLY PACKAGED IN ACCORDANCE WITH L-COM SPECIFICATION PS-0031.
- DUST COVERS INSTALLED FOR SHIPPING (NOT SHOWN).

**REGULATORY COMPLIANCE:**  
CE2011/65/EU (RoHS DIRECTIVE)

UNLESS OTHERWISE SPECIFIED, DIMENSIONS ARE IN INCHES [mm] OVERALL CABLE LENGTH TOLERANCE: $\leq 12$ [305] = +1 [25] / -0 $>12$ [305] $\leq 60$ [1524] = +2 [51] / -0 $>60$ [1524] $\leq 120$ [3048] = +4 [102] / -0 $>120$ [3048] $\leq 300$ [7620] = +6 [152] / -0 $>300$ [7620] = +5% / -0% ALL OTHER DIMENSIONAL TOLERANCES: .X = $\pm .2$ [5.08] .XX = $\pm .02$ [.51] .XXX = $\pm .005$ [.13]	APPROVALS DRAWN BY D. CASTRO CHECKED BY D. PARHAM APPROVED BY P. MCNEIL	DATE 9/21/11 9/21/11 9/21/11	50 HIGH STREET NORTH ANDOVER, MA 01845	
	CONFIGURATION DETAILS OF UNDIMENSIONED FEATURES MAY VARY			CATEGORY <b>AUDIO/VIDEO</b>
	PROJECTION 			PRODUCT DESCRIPTION <b>CA HDMI-M/RA-M</b>
COLOR VARIATIONS MAY OCCUR		SIZE <b>A</b>	FSCM NO. <b>43321</b>	
DWG. NO. <b>HDRA</b>		REV. <b>B</b>	SCALE: NONE CAD FILE: HDRA.SLDDRW SHEET 1 OF 1	