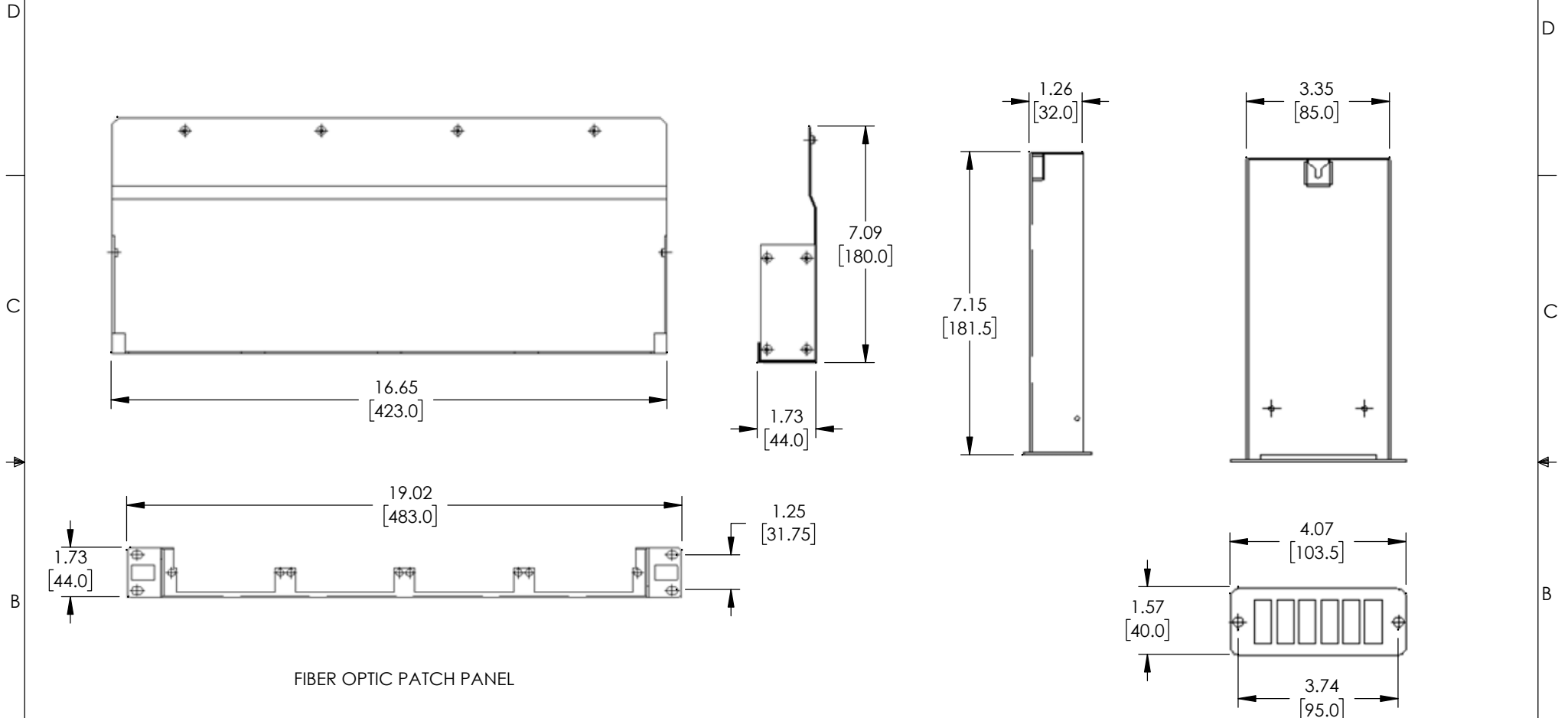


THE INFORMATION CONTAINED IN THIS DRAWING IS THE SOLE PROPERTY OF L-COM, INC. ANY REPRODUCTION IN PART OR WHOLE WITHOUT THE WRITTEN PERMISSION OF L-COM, INC. IS PROHIBITED.


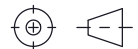
REVISIONS			
REV	DESCRIPTION	DATE	APPROVED
A	INITIAL RELEASE	12/14/2020	PHOSPODAR



FIBER OPTIC PATCH PANEL

FIBER OPTIC CASSETTE MODULE

MODEL NUMBER	FIBER TYPE	LC CONNECTOR
FSP-MPM-3L1S-72LCSM	9/125 SINGLE MODE OS2	72, BLUE
FSP-MPM-3L1S-72LCM3	50/125 MULTIMODE OM3 LASER OPTIMIZED	72, AQUA
FSP-MPM-3L1S-72LCM4	50/125 MULTIMODE OM4 LASER OPTIMIZED	72, AQUA

UNLESS OTHERWISE SPECIFIED, DIMENSIONS ARE IN INCHES [mm]	APPROVALS	DATE	 50 High Street, West Mill, North Andover, MA 01845 USA. Phone: 1.800.341.5266 1.978.682.6936
	OVERALL CABLE LENGTH TOLERANCE: ≤12 [305] = +1 [25] / -0 >12 [305] ≤60 [1524] = +2 [51] / -0 >60 [1524] ≤120 [3048] = +4 [102] / -0 >120 [3048] ≤300 [7620] = +6 [152] / -0 >300 [7620] = +5% / -0	DRAWN BY DFRISIELLO	
ALL OTHER DIMENSIONAL TOLERANCES: .X = ± .2 [5] FRACTIONS ± 1/32 .XX = ± .02 [.5] ANGLES ± 1° .XXX = ± .005 [.13]	CHECKED BY PHOSPODAR	12/14/2020	CATEGORY FIBER OPTICS
	APPROVED BY PHOSPODAR	12/14/2020	
THIRD-ANGLE PROJECTION 	CONFIGURATION DETAILS OF UNDIMENSIONED FEATURES MAY VARY	COLOR VARIATIONS MAY OCCUR	SIZE A
SCALE: NONE		CAGE CODE 43321	ITEM NO. FSP-MPM-3L1S-72LC
SHEET 1 OF 1		CAD FILE: FSP-MPM-3L1S-72LC.SLDDRW	