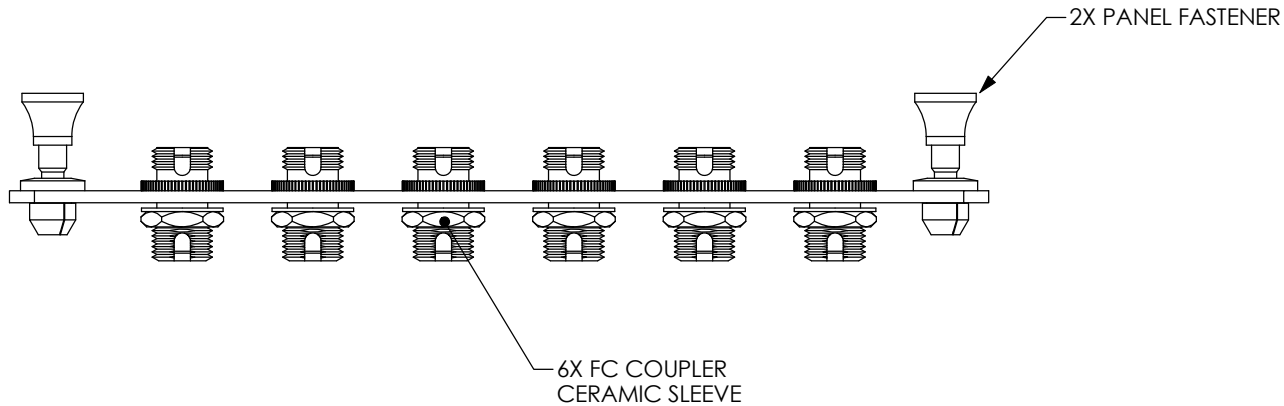
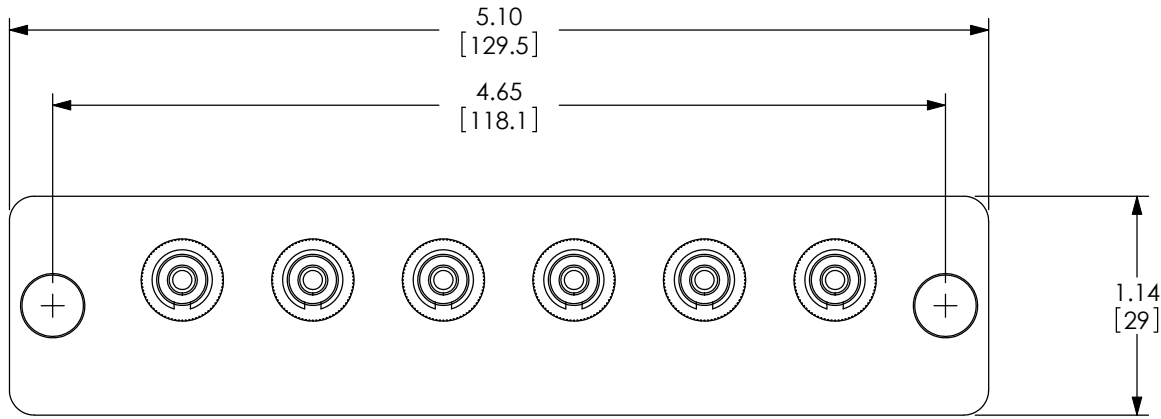


THE INFORMATION CONTAINED IN THIS DRAWING IS THE SOLE PROPERTY OF L-COM, INC. ANY REPRODUCTION IN PART OR WHOLE WITHOUT THE WRITTEN PERMISSION OF L-COM, INC. IS PROHIBITED.

REVISIONS			
REV	DESCRIPTION	DATE	APPROVED
A	RELEASED FOR PRODUCTION	01/21/02	MCCORMICK
B	ECN 5665: REVISED ALL NOTES, NEW FORMAT, ADDED ROHS	8/15/11	D.FRISIELLO



NOTES:

- PANEL MATERIAL: .06 THK COLD ROLLED STEEL
FASTENER MATERIAL: THERMOPLASTIC.
- FINISH: BLACK POWDER COAT.
- RECOMMENDED MOUNTING HOLE FOR MATING FASTENER, $\phi .252 +.002/-0.000$
- SUPPLIED WITH DUST CAPS ON COUPLERS. (NOT SHOWN)
- COMPONENT ASSEMBLY SHALL BE INDIVIDUALLY PACKAGED IN ACCORDANCE WITH L-COM SPECIFICATION PS-0031.

RoHS Compliant ✓



UNLESS OTHERWISE SPECIFIED, DIMENSIONS ARE IN INCHES [mm] OVERALL CABLE LENGTH TOLERANCE: ≤12 [305] = +1 [25] / -0 >12 [305] ≤60 [1524] = +2 [51] / -0 >60 [1524] ≤120 [3048] = +4 [102] / -0 >120 [3048] ≤300 [7620] = +6 [152] / -0 >300 [7620] = +3% / -0%	APPROVALS	DATE		45 BEECHWOOD DRIVE NORTH ANDOVER, MA 01845
	DRAWN BY MCCORMICK	01/08/02		
ALL OTHER DIMENSIONAL TOLERANCES: .X = ±.2 .XX = ±.02 .XXX = ±.005	CHECKED BY D.PARHAM	01/08/02	CATEGORY	
	APPROVED BY R.CARRICK	01/08/02	FIBER OPTIC SUB PANELS	
PROJECTION	CONFIGURATION DETAILS OF UNDIMENSIONED FEATURES MAY VARY		PRODUCT DESCRIPTION	
	COLOR VARIATIONS MAY OCCUR		FIBER SUB PANEL 6 FC CPL CR	
	SIZE A	FSCM NO. 43321	DWG. NO. FSP-FC-CR	REV. B
	SCALE: NONE		CAD FILE: FSP-FC-CR.SLDDRW	SHEET 1 OF 1