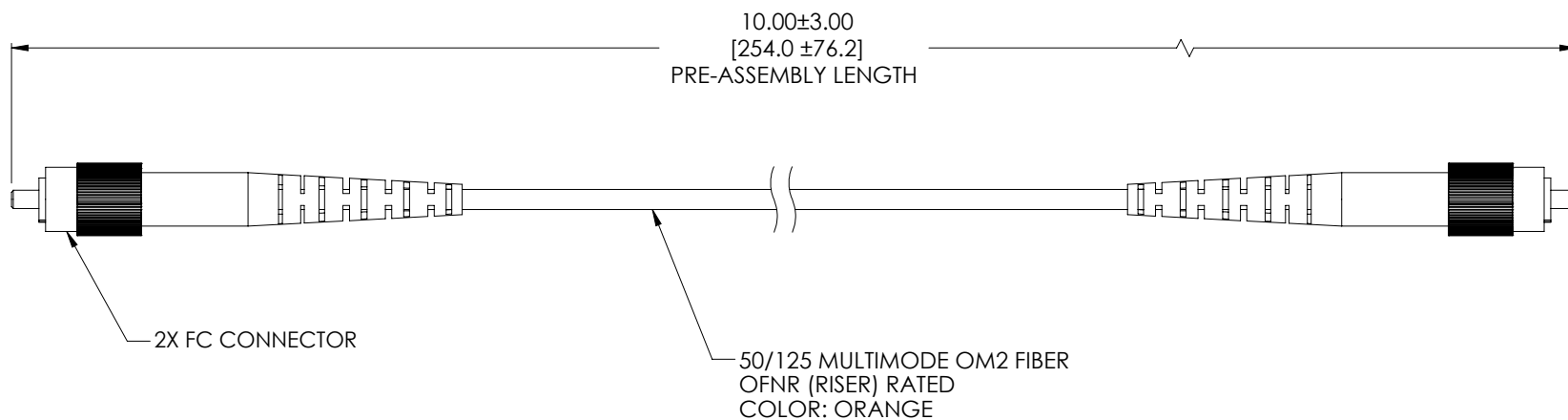


THE INFORMATION CONTAINED IN THIS DRAWING IS THE SOLE PROPERTY OF L-COM, INC. ANY REPRODUCTION IN PART OR WHOLE WITHOUT THE WRITTEN PERMISSION OF L-COM, INC. IS PROHIBITED.

REVISIONS			
REV	DESCRIPTION	DATE	APPROVED
A	DRAWING REPLACES FOL50-FC-OD1	10/13/14	D. CASTRO




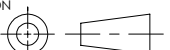
2X FC CONNECTOR

50/125 MULTIMODE OM2 FIBER  
OFNR (RISER) RATED  
COLOR: ORANGE

**NOTES:**

1. ST CONNECTOR ASSEMBLY POLISH TYPE: PC
2. ALL CONNECTORS ACCOMPANIED WITH A DUST CAP INSTALLED (NOT SHOWN).
3. CABLE ASSEMBLY SHALL BE INDIVIDUALLY PACKAGED IN ACCORDANCE WITH L-COM SPECIFICATION PS-0031.

**REGULATORY COMPLIANCE:**  
CE2011/65/EU(RoHS DIRECTIVE)

UNLESS OTHERWISE SPECIFIED, DIMENSIONS ARE IN INCHES [mm] OVERALL CABLE LENGTH TOLERANCE: ≤12 [305] = +1 [25] / -0 >12 [305] ≤60 [1524] = +2 [51] / -0 >60 [1524] ≤120 [3048] = +4 [102] / -0 >120 [3048] ≤300 [7620] = +6 [152] / -0 >300 [7620] = +5% / -0% ALL OTHER DIMENSIONAL TOLERANCES: .X = ± .2 [5.08] .XX = ± .02 [.51] .XXX = ± .005 [.13]	APPROVALS DRAWN BY C.MCCORMICK	DATE 01/09/2004	 45 BEECHWOOD DRIVE NORTH ANDOVER, MA 01845	
	CHECKED BY D.PARHAM	01/09/2004		CATEGORY FIBER OPTICS
	APPROVED BY R.CARRICK	01/09/2004	PRODUCT DESCRIPTION FIBER LOOPBACK FC 50/125	
	PROJECTION 	CONFIGURATION DETAILS OF UNDIMENSIONED FEATURES MAY VARY	COLOR VARIATIONS MAY OCCUR	SCALE: NONE CAD FILE: FOL50-FC.SLDDRW SHEET 1 OF 1

**L-com** Global Connectivity  
45 BEECHWOOD DRIVE  
NORTH ANDOVER, MA  
01845

CATEGORY  
**FIBER OPTICS**

PRODUCT DESCRIPTION  
**FIBER LOOPBACK FC 50/125**

SIZE <b>A</b>	FSCM NO. <b>43321</b>	DWG. NO. <b>FOL50-FC</b>	REV. <b>A</b>
------------------	--------------------------	-----------------------------	------------------