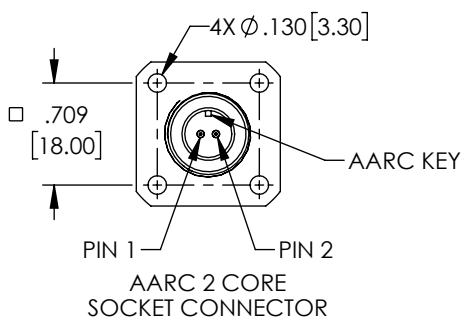
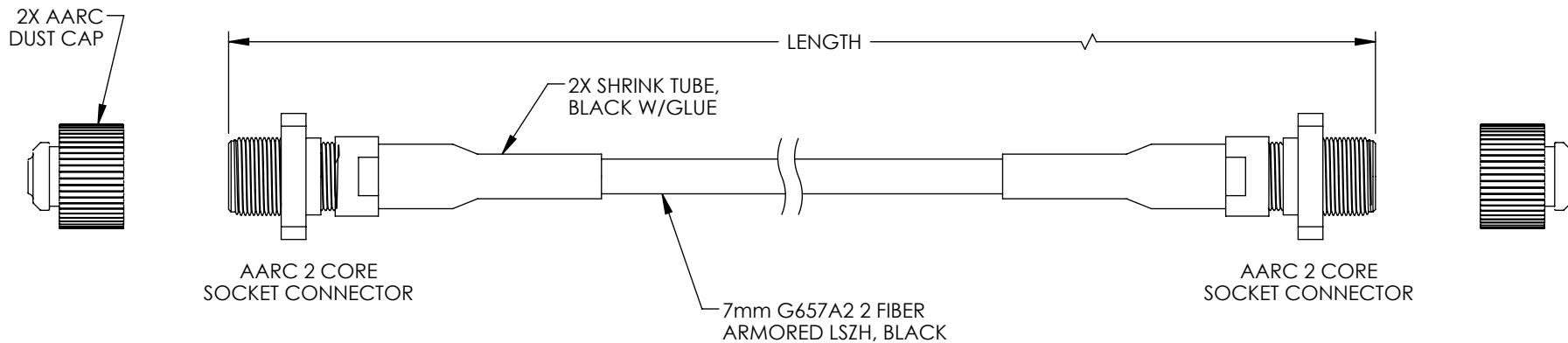


THE INFORMATION CONTAINED IN THIS DRAWING IS THE SOLE PROPERTY OF L-COM, INC. ANY REPRODUCTION IN PART OR WHOLE WITHOUT THE WRITTEN PERMISSION OF L-COM, INC. IS PROHIBITED.

REVISIONS			
REV.	DESCRIPTION	DATE	APPROVED
A	INITIAL RELEASE	01/18/2022	PHOSPODAR



ASSY CONNECTIVITY	
AARC 2 CORE SKT	AARC 2 CORE SKT
PIN1	PIN 2
PIN2	PIN 1


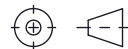
ITEM NO.	LENGTH	
	METER	FEET
FOCB023027101M	1.0	3.28
FOCB023027102M	2.0	6.56
FOCB023027105M	5.0	16.40
FOCB023027110M	10.0	32.81
FOCB023027115M	15.0	49.21

**NOTES:**

1. AARC CONNECTOR COMES WITH DUST CAP INSTALLED.
2. CABLE ASSEMBLY SHALL BE INDIVIDUALLY PACKAGED IN ACCORDANCE WITH L-COM SPECIFICATION PS-0031.

**REGULATORY COMPLIANCE:**

EU RoHS DIRECTIVE (MOST RECENT RELEASED VERSION)

UNLESS OTHERWISE SPECIFIED, DIMENSIONS ARE IN INCHES [mm] OVERALL CABLE LENGTH TOLERANCE: ≤12 [305] = +1 [25] / -0 >12 [305] ≤60 [1524] = +2 [51] / -0 >60 [1524] ≤120 [3048] = +4 [102] / -0 >120 [3048] ≤300 [7620] = +6 [152] / -0 >300 [7620] = +5% / -0 ALL OTHER DIMENSIONAL TOLERANCES: .X = ± .2 [5]   FRACTIONS ± 1/32 .XX = ± .02 [.5]   ANGLES ± 1° .XXX = ± .005 [.13]	APPROVALS	DATE	 an INFINITO brand 50 High Street, West Mill, North Andover, MA 01845 USA. Phone: 1.800.341.5266 1.978.682.6936
	DRAWN BY DZINN	01/18/2022	
CHECKED BY DFRISIELLO	01/18/2022	CATEGORY <b>FIBER OPTIC</b>	
APPROVED BY PHOSPODAR	01/18/2022	PRODUCT DESCRIPTION Fiber Optic Outdoor patch cable, Duplex SMF(G.657.A2), 2 core AARC(Socket) to 2 core AARC(Socket) with Armored 7.0mm LSZH jacket	
THIRD-ANGLE PROJECTION 	COLOR VARIATIONS MAY OCCUR	SIZE <b>A</b>	CAGE CODE <b>43321</b>
		ITEM NO. <b>FOCB0230271</b>	REV. <b>A</b>
		SCALE: NONE	CAD FILE: FOCB0230271.SLDDRW
		SHEET 1 OF 1	