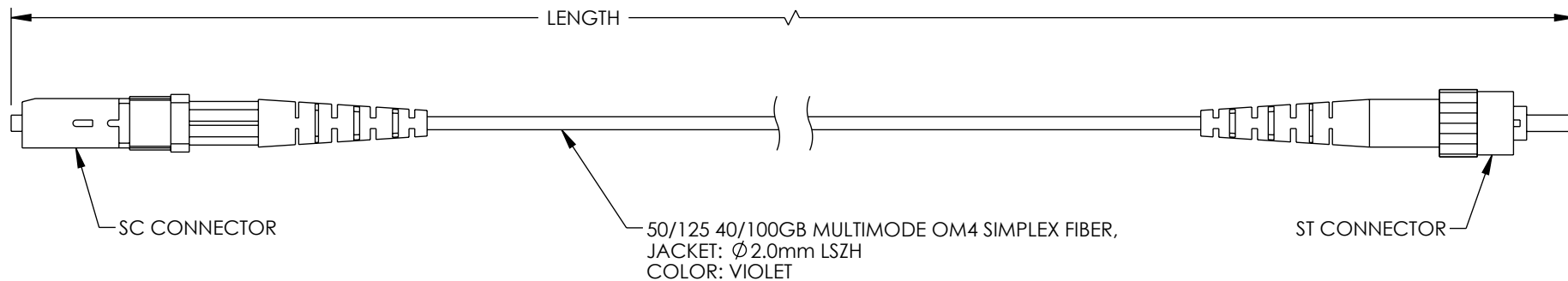


THE INFORMATION CONTAINED IN THIS DRAWING IS THE SOLE PROPERTY OF L-COM, INC. ANY REPRODUCTION IN PART OR WHOLE WITHOUT THE WRITTEN PERMISSION OF L-COM, INC. IS PROHIBITED.


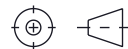
REVISIONS			
REV.	DESCRIPTION	DATE	APPROVED
A	INITIAL RELEASE	10/21/2022	PHOSPODAR



ITEM NUMBER	LENGTH METER [FEET]
FCA-M4SZ-SCST-01M	1.0 [3.28]
FCA-M4SZ-SCST-03M	3.0 [9.84]
FCA-M4SZ-SCST-05M	5.0 [16.40]
FCA-M4SZ-SCST-10M	10.0 [32.81]

NOTES:

- SC CONNECTOR ASSEMBLY POLISH TYPE: UPC.  
ST CONNECTOR ASSEMBLY POLISH TYPE: UPC.
- ALL CONNECTORS SUPPLIED WITH A DUST CAP INSTALLED, NOT SHOWN.
- CABLE ASSEMBLY SHALL BE INDIVIDUALLY PACKAGED IAW L-COM SPECIFICATION PS-0031.

UNLESS OTHERWISE SPECIFIED, DIMENSIONS ARE IN INCHES [mm] OVERALL CABLE LENGTH TOLERANCE: ≤12 [305] = +1 [25] / -0 >12 [305] ≤60 [1524] = +2 [51] / -0 >60 [1524] ≤120 [3048] = +4 [102] / -0 >120 [3048] ≤300 [7620] = +6 [152] / -0 >300 [7620] = +5% / -0 ALL OTHER DIMENSIONAL TOLERANCES: .X = ± .2 [5]   FRACTIONS ± 1/32 .XX = ± .02 [.5]   ANGLES ± 1° .XXX = ± .005 [.13]	APPROVALS	DATE	 50 High Street, West Mill, North Andover, MA 01845 USA. Phone: 1.800.341.5266 1.978.682.6936
	DRAWN BY DZINN	10/21/2022	
THIRD-ANGLE PROJECTION 	CHECKED BY DFRISIELLO	10/21/2022	CATEGORY <b>FIBER OPTIC</b>
	APPROVED BY JJOHNSTON	10/21/2022	
CONFIGURATION DETAILS OF UNDIMENSIONED FEATURES MAY VARY	PRODUCT DESCRIPTION FIBER PATCH CABLE ASSY, 50/125 40/100GB MULTIMODE, OM4, LSZH, LASER OPTIMIZED, SCU-STU		SCALE: NONE   CAD FILE: FCA-M4SZ-SCST.SLDDRW   SHEET 1 OF 1
COLOR VARIATIONS MAY OCCUR	SIZE <b>A</b>	CAGE CODE <b>43321</b>	