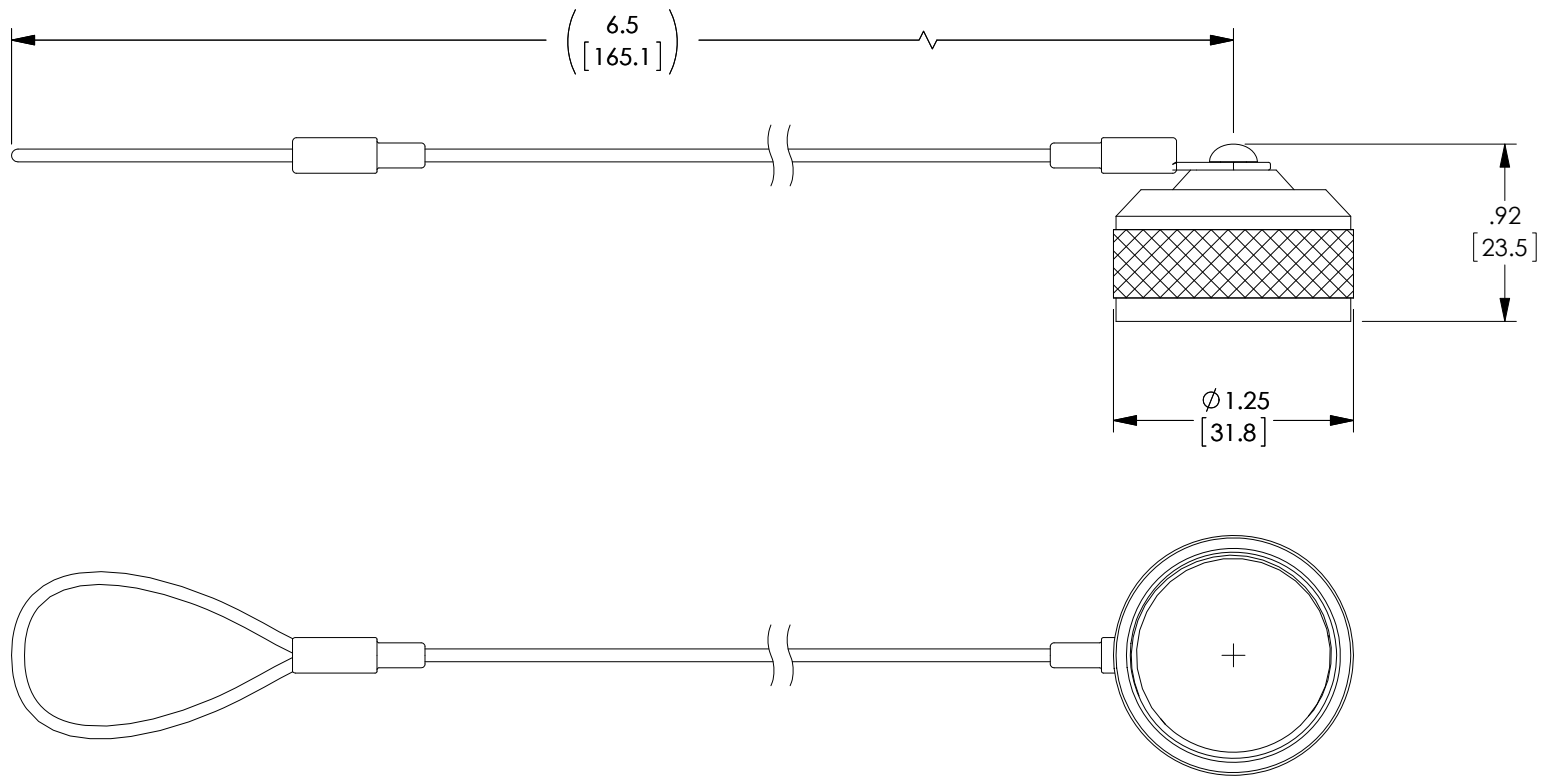


THE INFORMATION CONTAINED IN THIS DRAWING IS THE SOLE PROPERTY OF L-COM, INC. ANY REPRODUCTION IN PART OR WHOLE WITHOUT THE WRITTEN PERMISSION OF L-COM, INC. IS PROHIBITED.

REVISIONS			
REV	DESCRIPTION	DATE	APPROVED
A	INITIAL RELEASE	8/2/17	D.FRISIELLO



NOTES:

1. ALL DIMENSIONS ARE FOR REFERENCE ONLY.
2. MATERIALS AND FINISH:
 EXTERNAL PARTS: ALUMINUM, ZINC NICKEL (OLIVE DRAB)
 MISCELLANEOUS HARDWARE: STAINLESS STEEL
 SEAL: SILICONE / NITRILE
 LANYARD: STAINLESS STEEL (NYLON COATED)
3. USED WITH ECRP/ECSP STYLE IN-LINE RECEPTACLES
4. COMPONENT ASSEMBLY SHALL BE INDIVIDUALLY PACKAGED IN ACCORDANCE WITH L-COM SPECIFICATION LSP-010-1.

UNLESS OTHERWISE SPECIFIED, DIMENSIONS ARE IN INCHES [mm] OVERALL CABLE LENGTH TOLERANCE: ≤12 [305] = +1 [25] / -0 >12 [305] ≤60 [1524] = +2 [51] / -0 >60 [1524] ≤120 [3048] = +4 [102] / -0 >120 [3048] ≤300 [7620] = +6 [152] / -0 >300 [7620] = +5% / -0% ALL OTHER DIMENSIONAL TOLERANCES: .X = ± .2 [5.08] .XX = ± .02 [5.1] .XXX = ±.005 [1.13]	APPROVALS D.FRISIELLO CHECKED BY M.MARTINEZ APPROVED BY D.GUITADAURO	DATE 8/2/17 8/2/17 8/2/17	50 HIGH STREET NORTH ANDOVER, MA 01845
	CONFIGURATION DETAILS OF UNDIMENSIONED FEATURES MAY VARY		CATEGORY TELECOM/MODULAR
	PROJECTION 		PRODUCT DESCRIPTION DCAP + LNYRD INLINE RECP ZINI
	COLOR VARIATIONS MAY OCCUR	SIZE A	FSCM NO. 43321