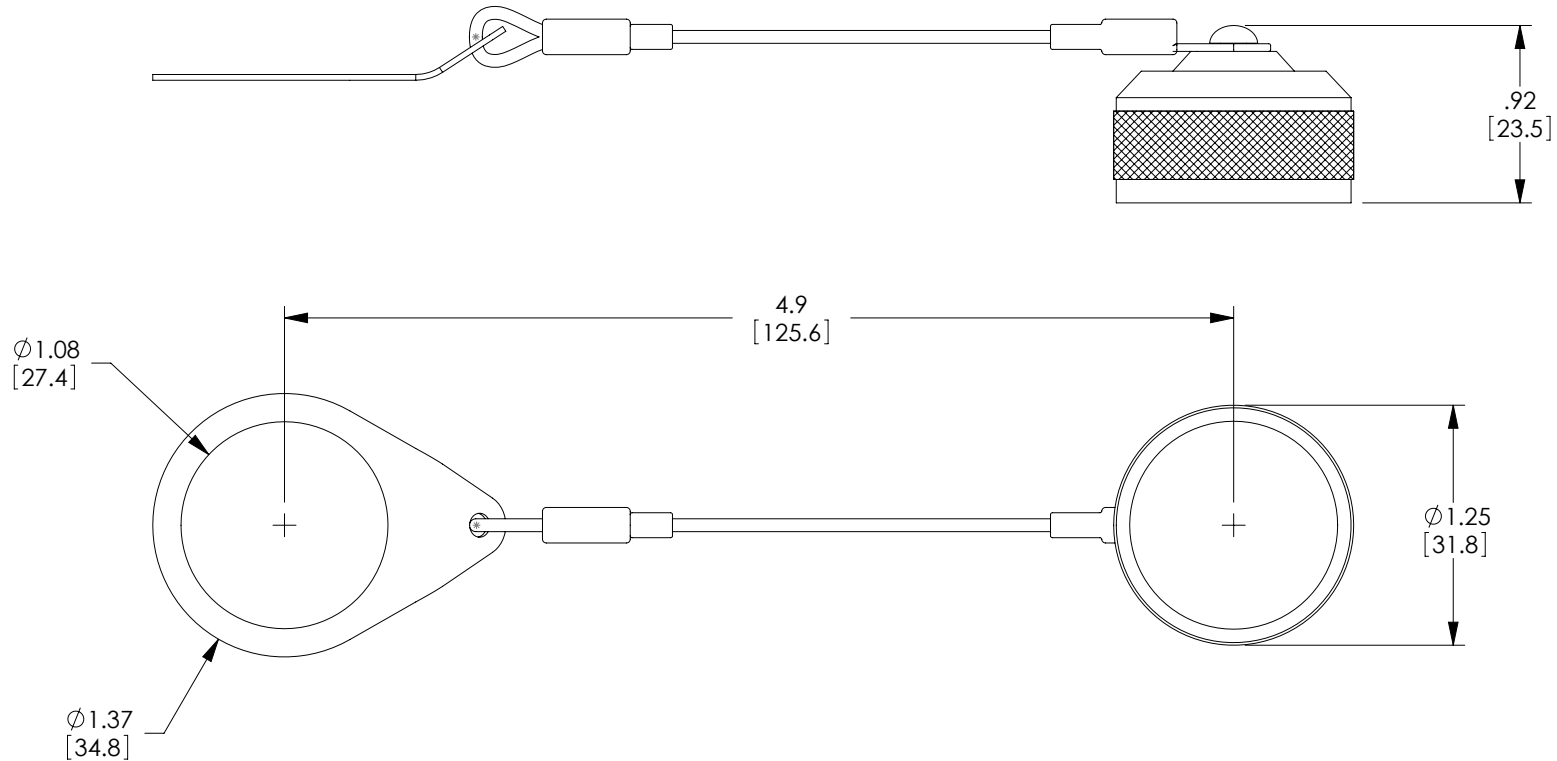


THE INFORMATION CONTAINED IN THIS DRAWING IS THE SOLE PROPERTY OF L-COM, INC. ANY REPRODUCTION IN PART OR WHOLE WITHOUT THE WRITTEN PERMISSION OF L-COM, INC. IS PROHIBITED.


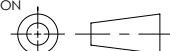
REVISIONS			
REV	DESCRIPTION	DATE	APPROVED
A	INITIAL RELEASE	6/23/17	R.CLARK



NOTES:

1. ALL DIMENSIONS ARE FOR REFERENCE ONLY.
2. MATERIALS AND FINISH:  
ALUMINUM, ANODIZED (BLACK)  
SEAL: SILICONE / NITRILE  
LANYARD: STAINLESS STEEL (NYLON COATED)  
COLLAR: STAINLESS STEEL
3. COMPONENT ASSEMBLY SHALL BE INDIVIDUALLY PACKAGED IN ACCORDANCE WITH L-COM SPECIFICATION LSP-010-1.

**REGULATORY COMPLIANCE:**  
CE2011/65/EU(RoHS DIRECTIVE)

UNLESS OTHERWISE SPECIFIED, DIMENSIONS ARE IN INCHES [mm] OVERALL CABLE LENGTH TOLERANCE: ≤12 [305] = +1 [25] / -0 >12 [305] ≤60 [1524] = +2 [51] / -0 >60 [1524] ≤120 [3048] = +4 [102] / -0 >120 [3048] ≤300 [7620] = +6 [152] / -0 >300 [7620] = +5% / -0%	APPROVALS	DATE	 50 HIGH STREET NORTH ANDOVER, MA 01845
	DRAWN BY R.CLARK	6/23/17	
ALL OTHER DIMENSIONAL TOLERANCES: .X = ± .2 [5.08] .XX = ± .02 [51] .XXX = ±.005 [1.3]	CHECKED BY MM3	7/20/17	CATEGORY TELECOM/MODULAR
	APPROVED BY DJG	7/21/17	PRODUCT DESCRIPTION DCAP + COL LNYRD FOR JNUT ANOD
PROJECTION 	CONFIGURATION DETAILS OF UNDIMENSIONED FEATURES MAY VARY	COLOR VARIATIONS MAY OCCUR	SIZE <b>A</b> FSCM NO. <b>43321</b> DWG. NO. <b>ECRU2201U00</b> REV. <b>A</b> SCALE: NONE    CAD FILE: ECRU2201U00.SLDDRW    SHEET 1 OF 1