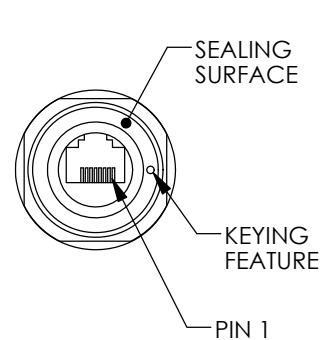


THE INFORMATION CONTAINED IN THIS DRAWING IS THE SOLE PROPERTY OF L-COM, INC. ANY REPRODUCTION IN PART OR WHOLE WITHOUT THE WRITTEN PERMISSION OF L-COM, INC. IS PROHIBITED.

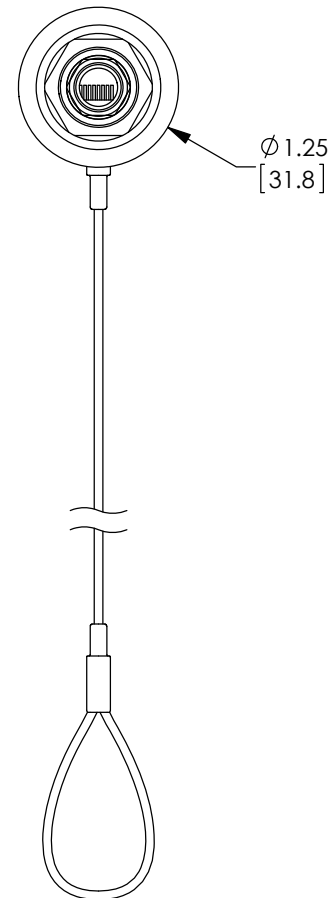
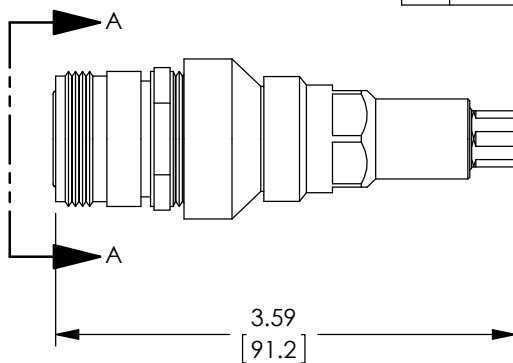
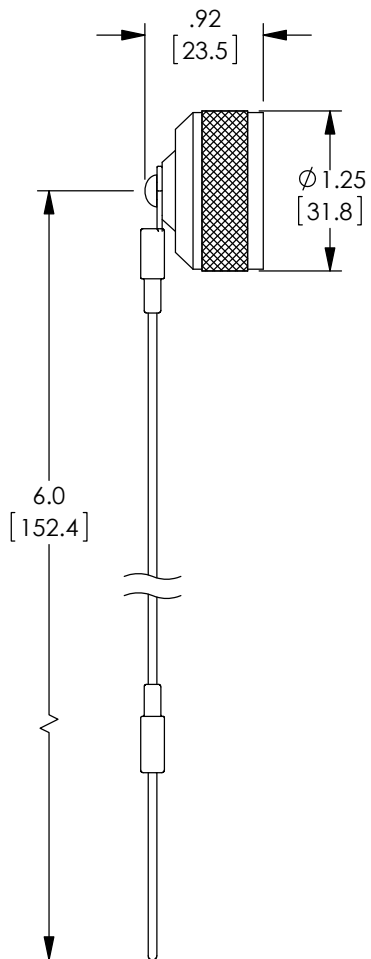
RoHS Compliant ✓

REVISIONS			
REV	DESCRIPTION	DATE	APPROVED
A	INITIAL RELEASE	11/7/11	D.GRIFFIN
B	ECN 6379: RE-DRAWN FROM 3D MODEL	8/29/12	D.FRISIELLO

D



SECTION A-A
SCALE 1:1.5



D

C

B

NOTES:

1. CABLE RANGE: ϕ .19 TO ϕ .27
ASSEMBLED OVERALL LENGTH IS APPROX. 4.06".
2. MATERIAL:
CONNECTOR: ALUMINUM/BLACK ANODIZE.
HARDWARE: STAINLESS STEEL.
SEALS: SILICONE/NITRILE.
LANYARD: STAINLESS STEEL (NYLON COATED).
3. RATED: IP-68
4. ALL DIMENSIONS ARE FOR REFERENCE ONLY.
5. COMPONENT SHALL BE INDIVIDUALLY PACKAGED IN ACCORDANCE WITH L-COM SPECIFICATION LSP-010-1.

UNLESS OTHERWISE SPECIFIED, DIMENSIONS ARE IN INCHES [mm] OVERALL CABLE LENGTH TOLERANCE: ≤12 [305] = +1 [25] / -0 >12 [305] ≤60 [1524] = +2 [51] / -0 >60 [1524] ≤120 [3048] = +4 [102] / -0 >120 [3048] ≤300 [7620] = +6 [152] / -0 >300 [7620] = +3% / -0%	APPROVALS	DATE		45 BEECHWOOD DRIVE NORTH ANDOVER, MA 01845
	DRAWN BY D. CASTRO	10/17/11		CATEGORY TELECOM/MODULAR
ALL OTHER DIMENSIONAL TOLERANCES: .X = ±.2 .XX = ±.02 .XXX = ±.005	CHECKED BY D. PARHAM	10/17/11	PRODUCT DESCRIPTION RCP SEALED ANOD .190-.270 DCAP	
	APPROVED BY D. GUITADAURO	10/18/11		
PROJECTION 	CONFIGURATION DETAILS OF UNDIMENSIONED FEATURES MAY VARY		DWG. NO. ECRP5201UA0	REV. B
COLOR VARIATIONS MAY OCCUR		SCALE: NONE		CAD FILE: ECRP5201UA0.SLDDRW
			SHEET 1 OF 1	

A

A