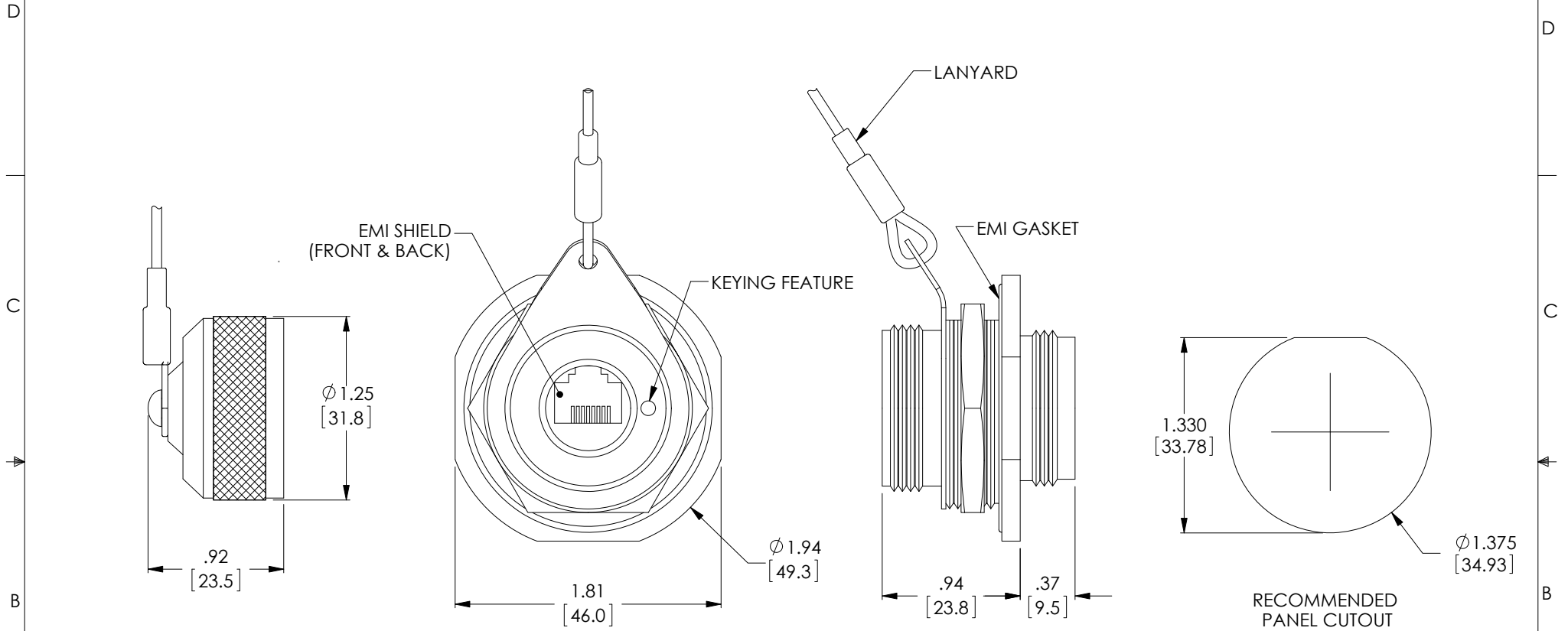


THE INFORMATION CONTAINED IN THIS DRAWING IS THE SOLE PROPERTY OF L-COM, INC. ANY REPRODUCTION IN PART OR WHOLE WITHOUT THE WRITTEN PERMISSION OF L-COM, INC. IS PROHIBITED.

REVISIONS			
REV	DESCRIPTION	DATE	APPROVED
A	INITIAL RELEASE	10/14/14	D.GRIFFIN



NOTES:

- MATERIAL:**
 EXTERNAL PARTS: ALUMINUM/ZINC-NICKEL
 INTERNAL PARTS: ALUMINUM
 MISC. HARDWARE: STAINLESS STEEL
 SEALS: SILICONE
 LANYARD: STAINLESS STEEL (NYLON COAT)
- RATING:** IP-68
- ALL DIMENSIONS ARE FOR REFERENCE ONLY.**
- COMPONENT SHALL BE INDIVIDUALLY PACKAGED IN ACCORDANCE WITH L-COM SPECIFICATION LSP-010-1**

UNLESS OTHERWISE SPECIFIED, DIMENSIONS ARE IN INCHES [mm] OVERALL CABLE LENGTH TOLERANCE: ≤ 12 [305] = +1 [25] / -0 >12 [305] ≤ 60 [1524] = +2 [51] / -0 >60 [1524] ≤ 120 [3048] = +4 [102] / -0 >120 [3048] ≤ 300 [7620] = +6 [152] / -0 >300 [7620] = +5% / -0% ALL OTHER DIMENSIONAL TOLERANCES: .X = $\pm .2$ [5.08] .XX = $\pm .02$ [51] .XXX = $\pm .005$ [13]	APPROVALS DRAWN BY D.FRISIELLO	DATE 10/8/14	45 BEECHWOOD DRIVE NORTH ANDOVER, MA 01845		
	CHECKED BY D.GUITADAURO	DATE 10/8/14		CATEGORY TELECOM/MODULAR	
	APPROVED BY M.MARTINEZ	DATE 10/13/14	PRODUCT DESCRIPTION JAM NUT D38999 SEALED ZNNI EMI		
	PROJECTION 	COLOR VARIATIONS MAY OCCUR	SIZE A	FSCM NO. 43321	DWG. NO. ECRJ1103U00
		SCALE: NONE	CAD FILE: ECRJ1103U00.SLDRW	SHEET 1 OF 1	